



PHOENIX

SPECIFICATIONS

VIVID

WALL BASIN MIXER SET 200MM

PRODUCT CODE: V786 CHR
 FINISH: CHROME
 WELS: 5 STAR - 5.5LT/MIN

INFORMATION:

MATERIAL: BRASS
 TEMPERATURE RATING: MIN 1° - MAX 75°
 PRESSURE RATING: MIN 150 kPa - MAX 500 kPa

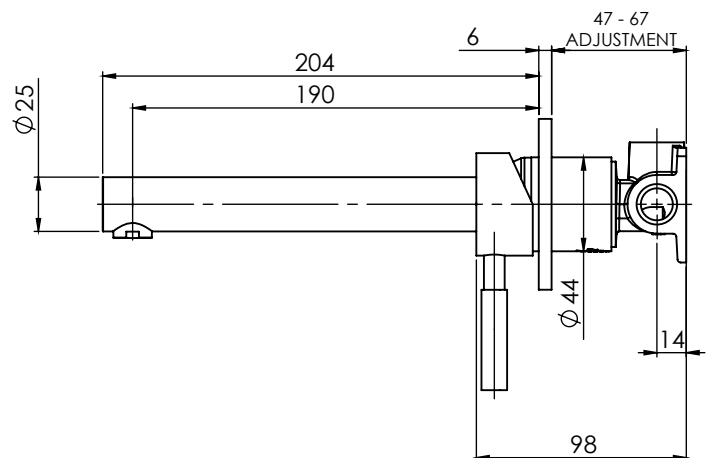
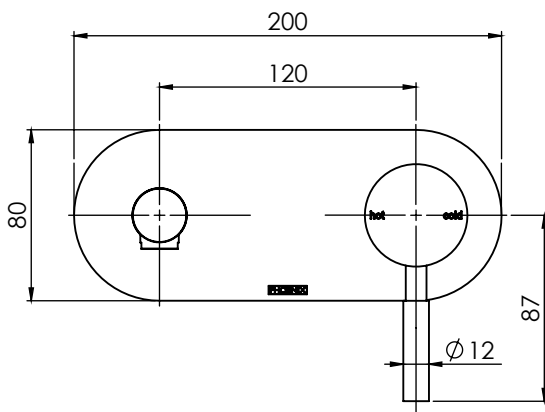


AVAILABLE IN:



CHROME

FOR MORE INFORMATION VISIT
www.phoenixtapware.com.au



PLEASE [CLICK HERE TO VIEW FULL WARRANTY](#)

While we aim to ensure the specifications shown are correct at time of printing, Phoenix Tapware reserves the right to make modifications without prior notice. Always use the physical product measurements for mark-ups and roughing-in as the line drawing shown may differ from the actual product over time. All measurements are shown in millimetres.

www.phoenixtapware.com.au
03 9780 4200



PHOENIX

SPECIFICATIONS

VIVID

WALL BASIN MIXER SET 200MM

PRODUCT CODE:

V786 CHR

FINISH:

CHROME

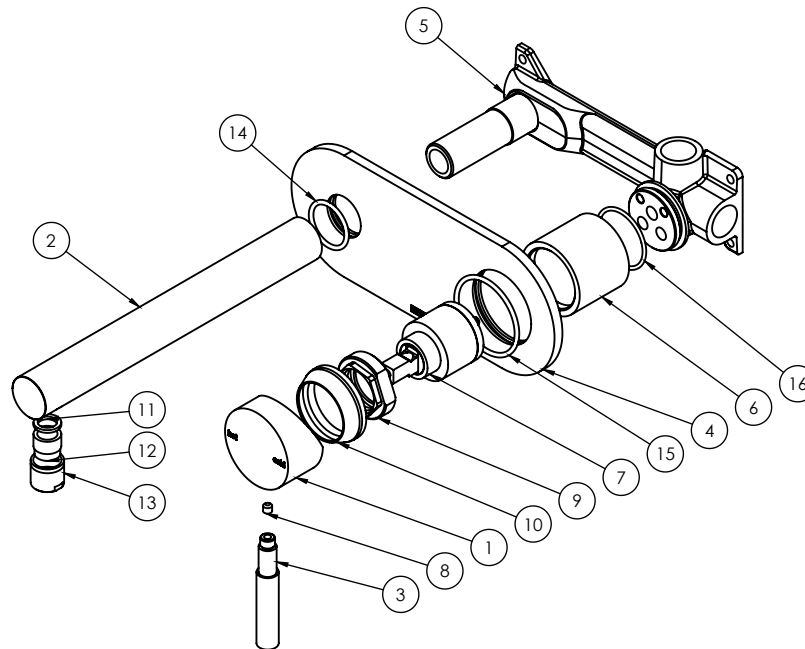
WELS:

5 STAR - 5.5LT/MIN



PARTS LIST

1. MIXER HANDLE
2. SPOUT 200MM
3. PIN LEVER
4. BACKPLATE
5. WALL BREECH
6. MIXER BODY
7. 35MM CARTRIDGE
8. GRUB SCREW M5X5MM
9. MIXER LOCKNUT M37X1.5MM
10. MIXER DOME
11. AERATOR GASKET
12. AERATOR
13. AERATOR RETAINER
14. O-RING 24.5X2.5MM
15. O-RING 43.5X2.5MM
16. O-RING 33X2.0MM



MAINTENANCE AND CARE:

- All surfaces should be cleaned with mild liquid detergent or soap and water.
- Do not use cream cleaners or citrus based cleaning products, as they are abrasive.
- Use of unsuitable cleaning agents may damage the surface. Any damage caused in this way will not be covered by warranty.

PACKAGING INCLUDES

- 1 x Wall mixer basin set
- 1 x Installation kit
- 1 x Installation instructions
- 1 x Warranty card

PLEASE [CLICK HERE](#) TO VIEW FULL WARRANTY

While we aim to ensure the specifications shown are correct at time of printing, Phoenix Tapware reserves the right to make modifications without prior notice. Always use the physical product measurements for mark-ups and roughing-in as the line drawing shown may differ from the actual product over time. All measurements are shown in millimetres.

www.phoenixtapware.com.au
03 9780 4200