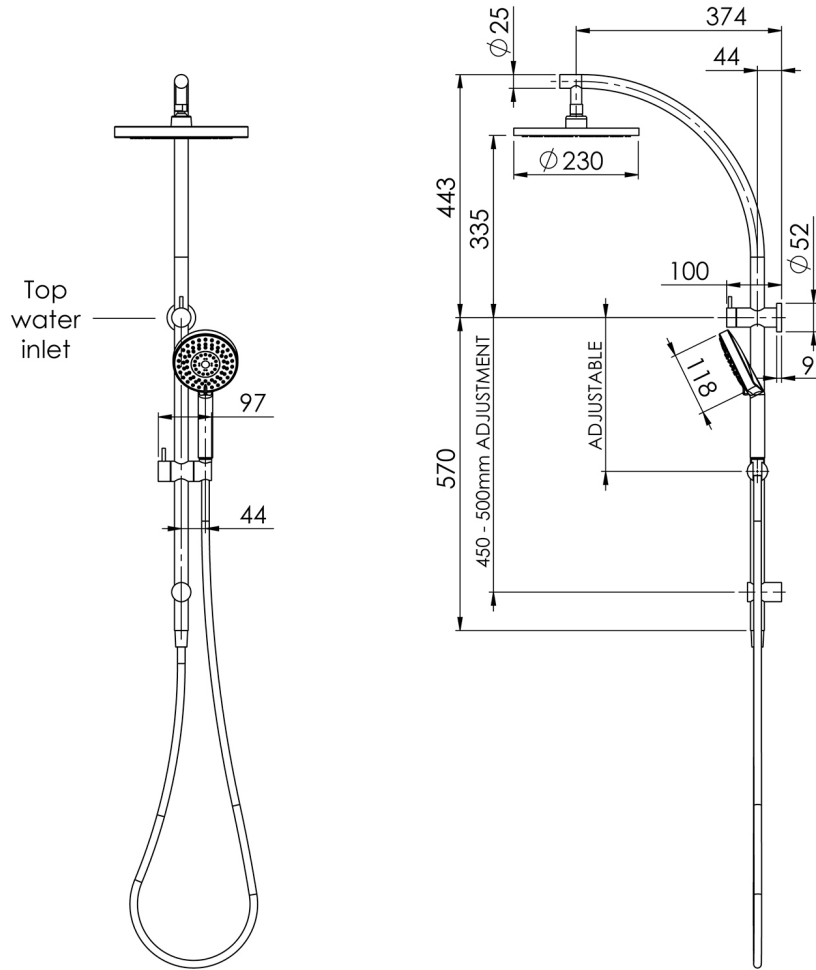


# VIVID

## VIVID TWIN SHOWER



## SPECIFICATIONS



### AVAILABLE IN



V726 CHR  
Chrome



V726 BN  
Brushed  
Nickel



V726 GM  
Gun Metal



V726 MB  
Matte Black



V726-12  
Brushed  
Gold

### INFORMATION

Temperature Rating  
1 - 75°C

Pressure Rating  
150 - 500kPa



### MAINTENANCE AND CARE:

- All surfaces should be cleaned with mild liquid detergent or soap and water.
- Do not use cream cleaners or citrus based cleaning products, as they are abrasive.
- Use of unsuitable cleaning agents may damage the surface.
- Any damage caused in this way will not be covered by warranty.

Please visit <https://www.phoenixtapware.com.au/warranty> to view the full warranty