



# PHOENIX

## SPECIFICATIONS

### SUBI

### BASIN MIXER

PRODUCT CODE: I0577000C  
 FINISH: CHROME  
 WELS: 5 STAR - 6 LT/MIN

#### INFORMATION:

TEMPERATURE RATING: MIN 1° - MAX 75°  
 PRESSURE RATING: MIN 150 kPa - MAX 500 kPa

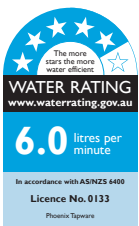
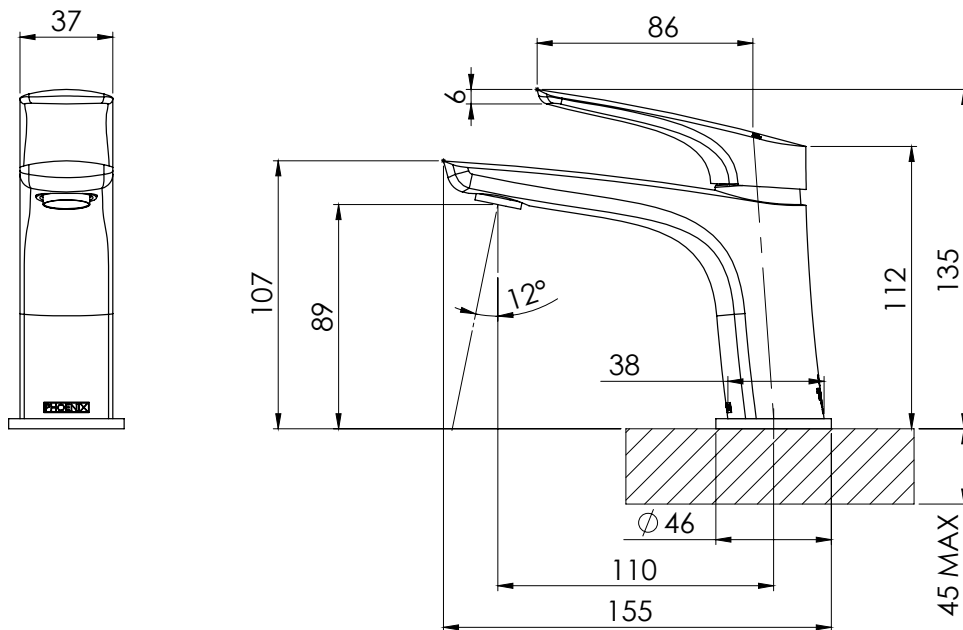


AVAILABLE IN:



CHROME

FOR MORE INFORMATION VISIT  
[www.phoenixtapware.com.au](http://www.phoenixtapware.com.au)



PLEASE [CLICK HERE](#) TO VIEW FULL WARRANTY

While we aim to ensure the specifications shown are correct at time of printing, Phoenix Tapware reserves the right to make modifications without prior notice. Always use the physical product measurements for mark-ups and roughing-in as the line drawing shown may differ from the actual product over time. All measurements are shown in millimetres.

A Registered Design and Trademark of Phoenix Industries Pty, Ltd  
V291116

[www.phoenixtapware.com.au](http://www.phoenixtapware.com.au)  
03 9780 4200



# PHOENIX

## SPECIFICATIONS

### SUBI

### BASIN MIXER

PRODUCT CODE:

I0577000C

FINISH:

CHROME

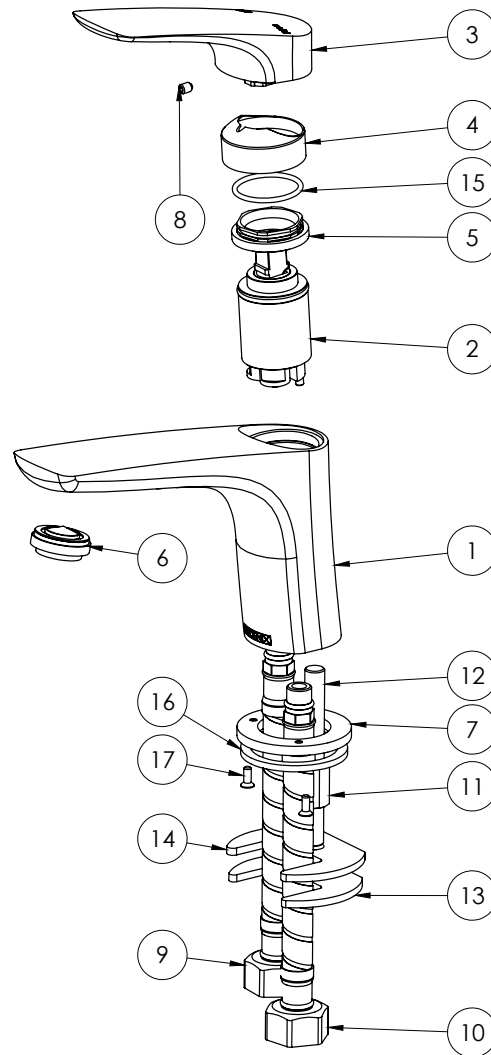
WELS:

5 STAR - 6 LT/MIN



#### PARTS LIST

1. BASIN MIXER BODY
2. 28MM CARTRIDGE
3. MIXER HANDLE
4. BASIN MIXER DOME
5. MIXER LOCKNUT
6. AERATOR
7. BASIN MIXER PLATE
8. GRUB SCREW M4X5
9. FLEXIBLE HOSE 450MM HOT
10. FLEXIBLE HOSE 450MM COLD
11. M8 NUT
12. M8 THREADED ROD
13. FIXING PLATE
14. RUBBER GASKET
15. O-RING
16. RUBBER WASHER
17. SCREW M3X8



#### MAINTENANCE AND CARE:

- Chrome plated surfaces should be cleaned with mild liquid detergent or soap and water.
- Do not use cream cleaners or citrus based cleaning products, as they are abrasive.
- Use of unsuitable cleaning agents may damage the surface. Any damage caused in this way will not be covered by warranty.

#### PACKAGING INCLUDES

- 1 x Basin mixer
- 1 x 450mm braided flexible cold hose
- 1 x 450mm braided flexible hot hose
- 1 x Installation kit
- 1 x Installation instructions
- 1 x Warranty card

PLEASE [CLICK HERE](#) TO VIEW FULL WARRANTY

While we aim to ensure the specifications shown are correct at time of printing, Phoenix Tapware reserves the right to make modifications without prior notice. Always use the physical product measurements for mark-ups and roughing-in as the line drawing shown may differ from the actual product over time. All measurements are shown in millimetres.

A Registered Design and Trademark of Phoenix Industries Pty, Ltd

V291116

[www.phoenixtapware.com.au](http://www.phoenixtapware.com.au)  
03 9780 4200