

# Raymor Bottle Trap Round Adjustable 40mm

Brushed Nickel

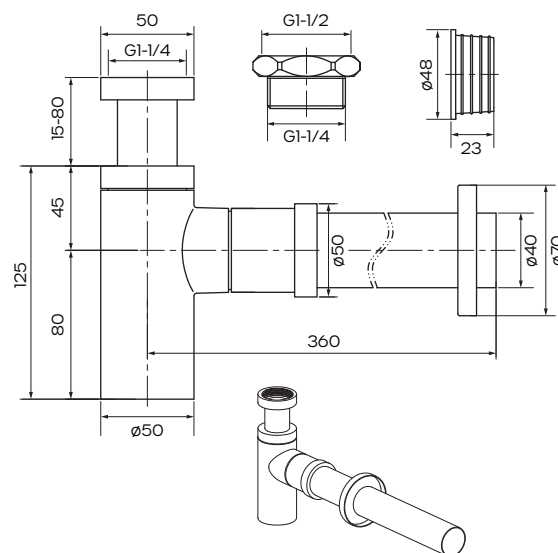
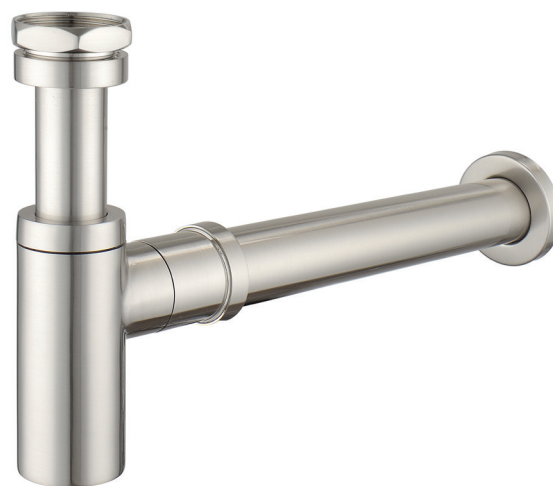
Product Code: 202992

## Warranty

5 years - Bottle Trap  
1 year - seals & labour

## Product Specifications

<b>Colour</b>	Brushed Nickel
<b>Material</b>	Brass
<b>Width</b>	70mm
<b>Height</b>	140mm
<b>Depth</b>	385mm
<b>Finish</b>	Electroplated
<b>Inclusions</b>	1 x Bottle Trap 1 x installation instructions
<b>Country of Manufacture</b>	China
<b>Maintenance &amp; Care</b>	Surfaces should be regularly cleaned with a soft, dampened cloth or sponge with warm, soapy water or mild detergent only. Do not use abrasive brushes, scourers, cleaners or harsh chlorides or chemicals as these can damage the finish



For more information call 1800 729 667 or visit [raymor.com.au](http://raymor.com.au)

© Registered trademark of Tradelink. All dimensions given are approximate and should be checked prior to installation. See raymor.com.au for full warranty details.

**Raymor**<sup>®</sup>