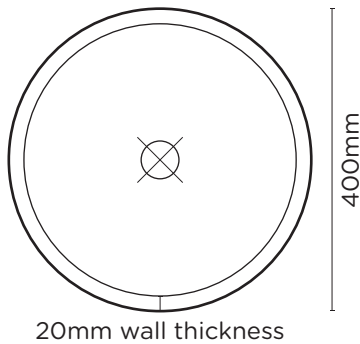




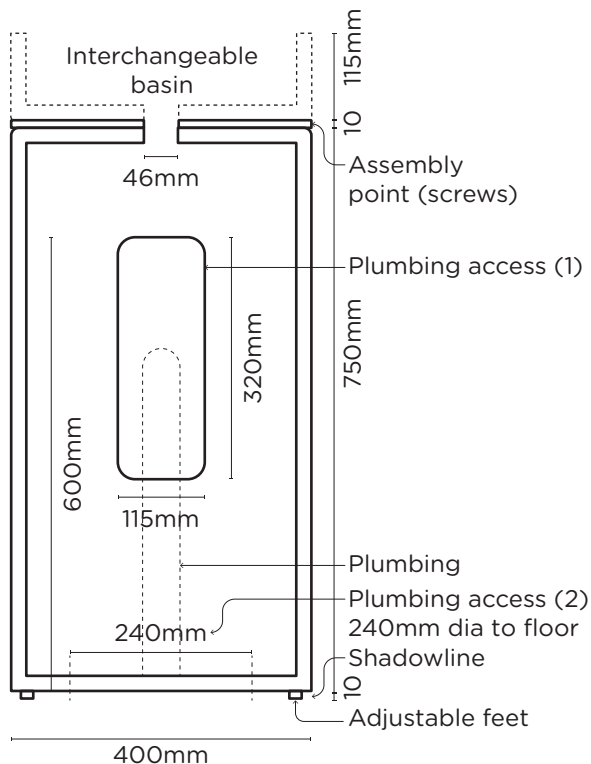
Cylinder

This unique all concrete pedestal is a modern day modular design—meaning you get to choose the colour of the basin, cylinder, and tray if you want one. Each piece is available in all 14 colours.

PLAN VIEW



SECTION VIEW



SPECIFICATIONS

MATERIAL	UHP Concrete
FINISH	Matte / Low Sheen
WEIGHT	Total Cylinder with basin: 32.5kg (71.6lbs)
DIMENSIONS (Floor to top edge of basin)	Finished Height - basin only 870mm (34.2in) Finished Height - basin with tray 885mm (34.8in)
TRAY OPTION	Left or right orientation
BOWL CAPACITY	8.9L (2.35gal)
TAP HOLE	N/A
OVERFLOW AVAILABLE	N/A
WASTE RQD	32mm Standard (1 1/4in) not provided
WARRANTY	24 months
WASTE HOLE SIZE	32mm Standard (1 1/4in)
WALL THICKNESS	Cylinder Wall thickness: 125mm Basin Wall: see basin spec
OPTIONS	Freestanding
WALL HANG RQD	L Bracket and fixings provided to fit to wall
BASIN OPTIONS	Bowl, Bowl (2), Funl, Stepp Circle, Prism Circle, Hoop, Tubb

All dimensions are estimate. We suggest waiting until receiving Nood basins before cutting holes in cabinetry items. Colours of concrete may vary slightly.

WALL HUNG BRACKET



To secure Stand or Cylinder to wall. Fixes to plate at top of cylinder

AVAILABLE COLOURS

