



## Banjo Basin Mixer

Product Code:133355

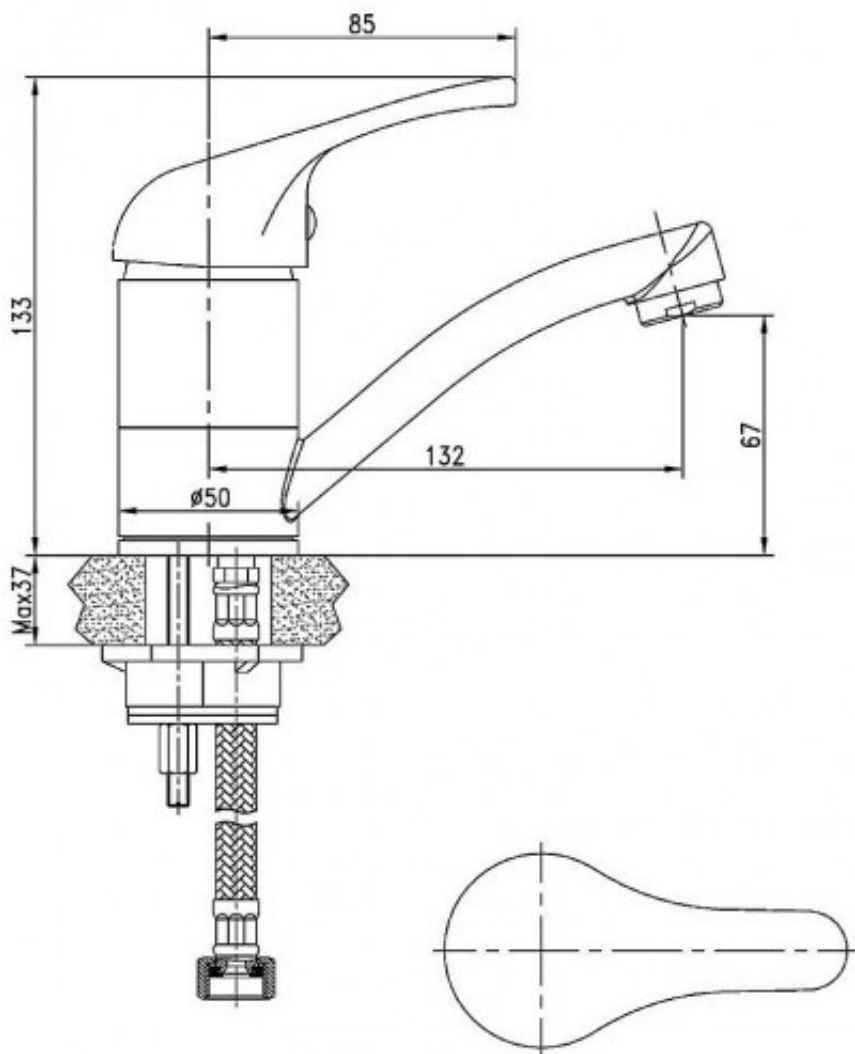
1800 RAYMOR  
raymor.com.au

**Raymor**  
*more like you*

# Banjo Basin Mixer

## PRODUCT SPECIFICATION

|                                   |  |
|-----------------------------------|--|
| <b>Product Code</b>               | 133355   |
| <b>Material</b>                   | Brass Body   |
| <b>Handle</b>                     | Zinc Die Cast Handle   |
| <b>Finish</b>                     | Chrome Plated  |
| <b>Cartridge</b>                  | 40mm   |
| <b>Handle Style</b>               | Conventional radiused end  |
| <b>Hot/Cold Indicator</b>         | Coloured Hot and Cold indicator button   |
| <b>Warranty</b>                   | Visit <a href="http://www.raymor.com.au">www.raymor.com.au</a>                 |
| <b>WELS-Rating</b>                | WELS 4 STAR 7.5L/min   |
| <b>Spout Reach</b>                | 132mm - Centre of Mixer to centre of Aerator                                   |
| <b>Connector Tails</b>            | Stainless Steel PEX Lined  |
| <b>Sink/Basin Mixer Operation</b> | Swivel spout   |
| <b>Mixer Height</b>               | 67mm - Bench to centre of outlet   |
| <b>Bench Fixing</b>               | Threaded Rod & Horse Shoe Bracket  |
| <b>Mount Surface</b>              | Suitable for up to 37mm bench thickness  |
| <b>Pressure</b>                   | Hot and cold water inlet pressure should be equal<br>Gravity feed not suitable |



Printed:27/09/2020

© Raymor 2017. All rights reserved.

Version 1 1/09/2017

All measurements are in millimetres and are to be used as a guide only. Specifications and materials may change without notice. Whilst all care has been taken to ensure that all details are correct at the time of print we reserve the right to correct any errors, inaccuracies or omissions or to change or update any details or information at any time without notice.

\*Subject to terms and conditions available at [raymor.com.au](http://raymor.com.au)

**Raymor**  
*more like you*