



PHOENIX

SPECIFICATIONS

RUSH

WALL BATH MIXER SET 280MM

PRODUCT CODE: RU764 CHR
 FINISH: CHROME
 WELS: N/A

INFORMATION:

TEMPERATURE RATING: MIN 1° - MAX 75°
 PRESSURE RATING: MIN 150 kPa - MAX 500 kPa

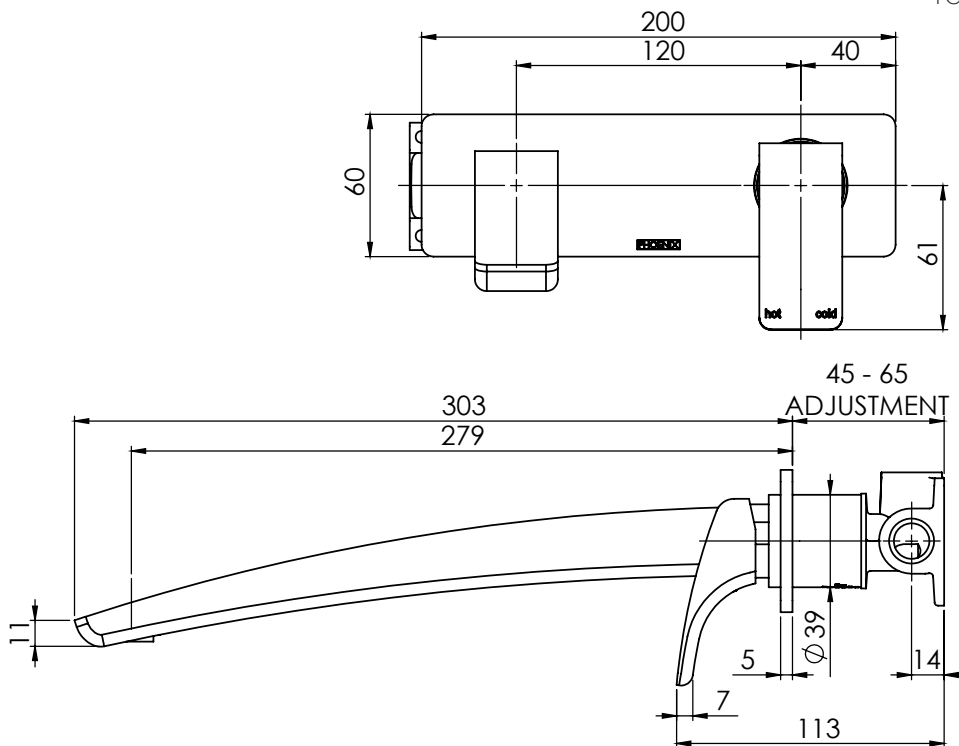


AVAILABLE IN:



CHROME

FOR MORE INFORMATION VISIT
www.phoenixtapware.com.au



PLEASE [CLICK HERE](#) TO VIEW FULL WARRANTY

While we aim to ensure the specifications shown are correct at time of printing, Phoenix Tapware reserves the right to make modifications without prior notice. Always use the physical product measurements for mark-ups and roughing-in as the line drawing shown may differ from the actual product over time. All measurements are shown in millimetres.

www.phoenixtapware.com.au
03 9780 4200



PHOENIX

SPECIFICATIONS

RUSH

WALL BATH MIXER SET 280MM

PRODUCT CODE:

RU764 CHR

FINISH:

CHROME

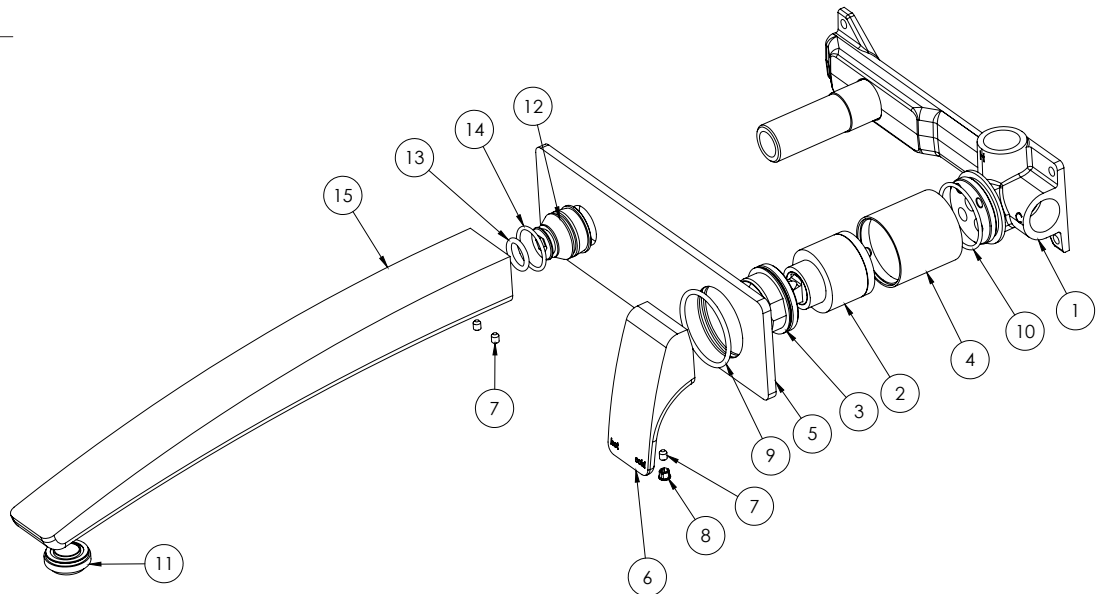
WELS:

N/A



PARTS LIST

1. WALL MIXER BREACH
2. 35MM CARTRIDGE
3. LOCKNUT DOME
4. MIXER SLEEVE
5. BACK PLATE
6. MIXER HANDLE
7. GRUB SCREW M4X5
8. SCREW CAP
9. O-RING 38X2.5
10. O-RING 33X2.0
11. AERATOR
12. ADAPTOR
13. O-RING 13X2.6
14. O-RING 21X1.9
15. SPOUT



MAINTENANCE AND CARE:

- All surfaces should be cleaned with mild liquid detergent or soap and water.
- Do not use cream cleaners or citrus based cleaning products, as they are abrasive.
- Use of unsuitable cleaning agents may damage the surface. Any damage caused in this way will not be covered by warranty.

PACKAGING INCLUDES

- 1 x Wall bath set
- 1 x Mixer handle
- 1 x Back plate
- 1 x Installation kit
- 1 x Installation instructions
- 1 x Warranty card

PLEASE [CLICK HERE](#) TO VIEW FULL WARRANTY

While we aim to ensure the specifications shown are correct at time of printing, Phoenix Tapware reserves the right to make modifications without prior notice. Always use the physical product measurements for mark-ups and roughing-in as the line drawing shown may differ from the actual product over time. All measurements are shown in millimetres.

www.phoenixtapware.com.au
03 9780 4200