



PHOENIX

SPECIFICATIONS

ARGO

SHOWER/ BATH DIVERTER MIXER

PRODUCT CODE: AG791 CHR
 FINISH: CHROME
 WELS: N/A

INFORMATION:

MATERIAL: BRASS
 TEMPERATURE RATING: MIN 1° - MAX 75°
 PRESSURE RATING: MIN 150 kPa - MAX 500 kPa

CONSUMER UNIT:

SIZE: L 190MM x W 140MM x H 75MM
 GROSS WEIGHT: 1.84 KG
 BARCODE EAN-13: 9 320594 016 098

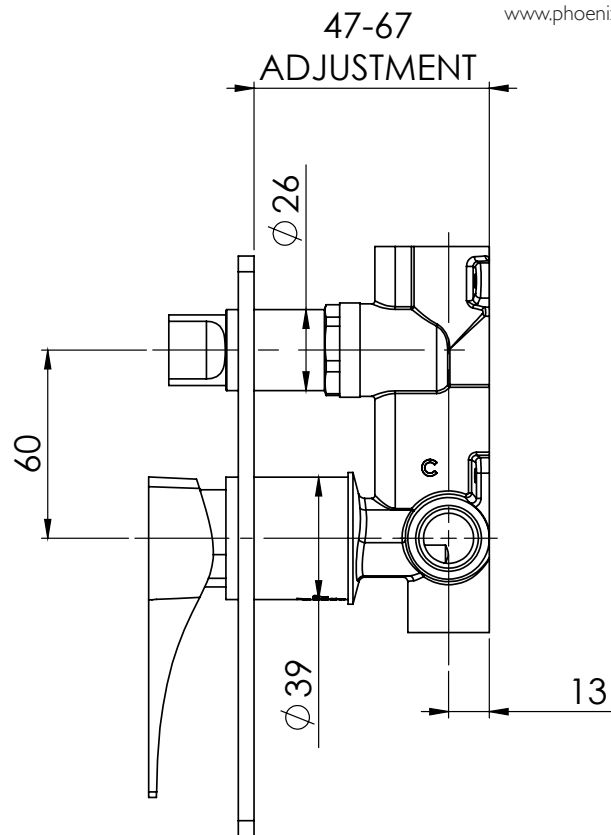
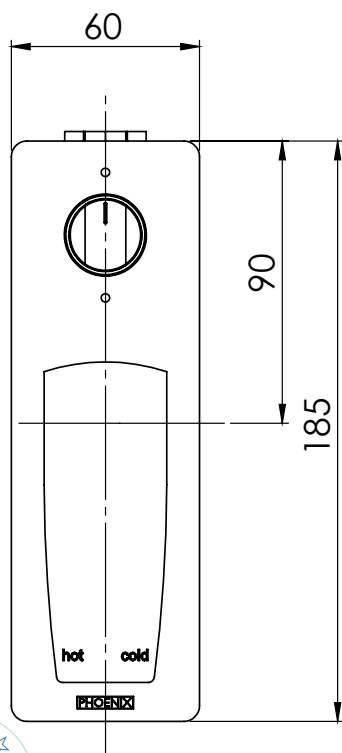


AVAILABLE IN:



CHROME

FOR MORE INFORMATION VISIT www.phoenixtapware.com.au



PLEASE [CLICK HERE TO VIEW FULL WARRANTY](#)

While we aim to ensure the specifications shown are correct at time of printing, Phoenix Tapware reserves the right to make modifications without prior notice. Always use the physical product measurements for mark-ups and roughing-in as the line drawing shown may differ from the actual product over time. All measurements are shown in millimetres.

www.phoenixtapware.com.au
03 9780 4200



ARGO

SHOWER/ BATH DIVERter MIXER

PRODUCT CODE:

AG791 CHR

FINISH:

CHROME

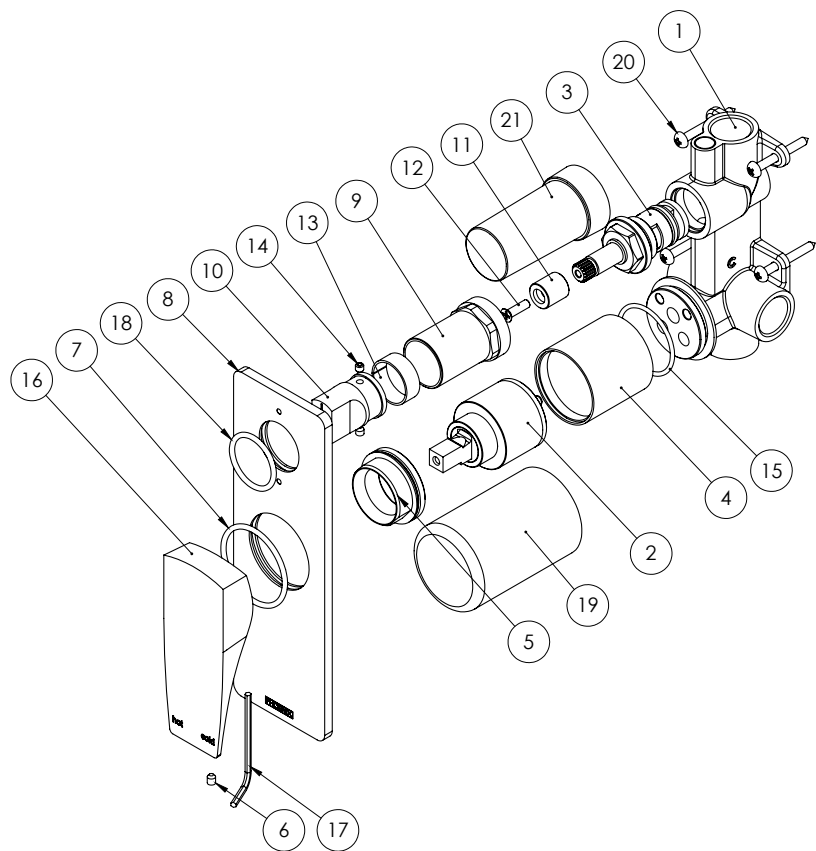
WELS:

N/A



PARTS LIST

1. BREACH
2. 35MM CARTRIDGE
3. BRASS DIVERter CARTRIDGE
4. MIXER SLEEVE
5. LOCK NUT DOME
6. GRUB SCREW M4X5
7. O-RING 43X2.5
8. BACK PLATE
9. ROTARY DIVERter SLEEVE
10. ROTARY DIVERter BUTTON
11. ROTARY DIVERter SPLINDLE ADAPTER
12. SCREW
13. NYLON BEARING
14. GRUB SCREW M4X4
15. O-RING 33X2.0MM
16. MIXER HANDLE
17. ALLEN KEY
18. O-RING 25X2.5MM
19. MIXER SLEEVE
20. SCREW
21. DIVERter SLEEVE



MAINTENANCE AND CARE:

- All surfaces should be cleaned with mild liquid detergent or soap and water.
- Do not use cream cleaners or citrus based cleaning products, as they are abrasive.
- Use of unsuitable cleaning agents may damage the surface. Any damage caused in this way will not be covered by warranty.

PACKAGING INCLUDES

- 1 x Shower/ bath diverter mixer
- 1 x Installation kit
- 1 x Installation instructions
- 1 x Warranty card

PLEASE [CLICK HERE](#) TO VIEW FULL WARRANTY

While we aim to ensure the specifications shown are correct at time of printing, Phoenix Tapware reserves the right to make modifications without prior notice. Always use the physical product measurements for mark-ups and roughing-in as the line drawing shown may differ from the actual product over time. All measurements are shown in millimetres.

www.phoenixtapware.com.au
03 9780 4200