



# PHOENIX

## SPECIFICATIONS

### RADII

### SHOWER / BATH DIVERTER MIXER

PRODUCT CODE: RA791 CHR  
 FINISH: CHROME  
 WELS: N/A

#### INFORMATION:

TEMPERATURE RATING: MIN 1° - MAX 75°  
 PRESSURE RATING: MIN 150 kPa - MAX 500 kPa

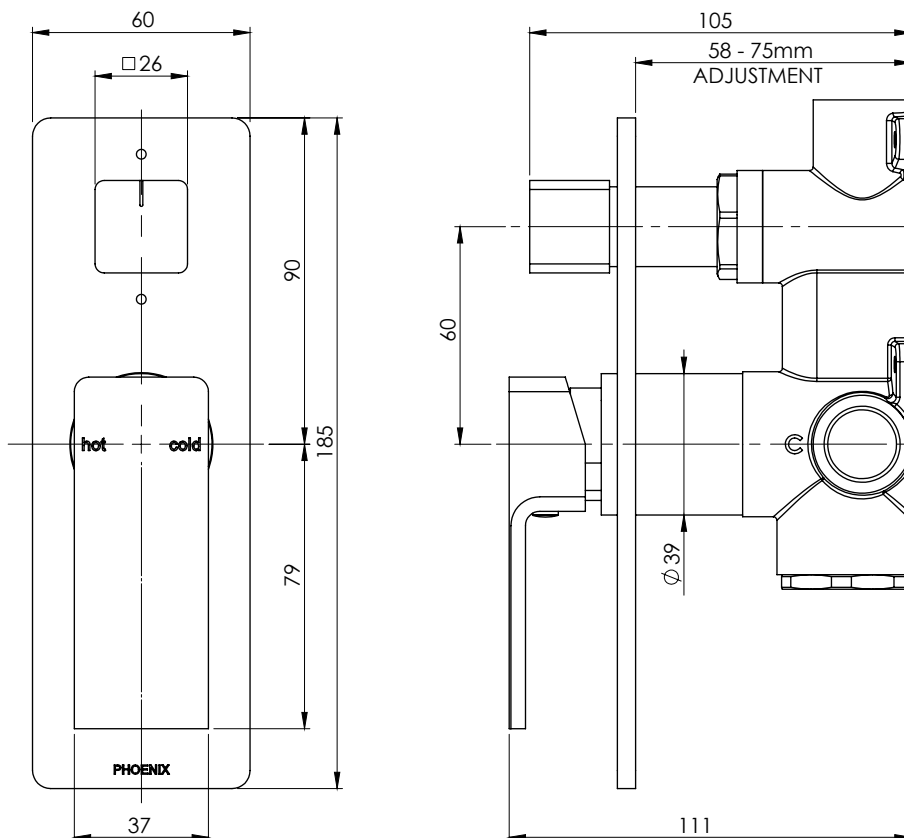


AVAILABLE IN:



CHROME

FOR MORE INFORMATION VISIT  
[www.phoenixtapware.com.au](http://www.phoenixtapware.com.au)



PLEASE [CLICK HERE TO VIEW FULL WARRANTY](#)

While we aim to ensure the specifications shown are correct at time of printing, Phoenix Tapware reserves the right to make modifications without prior notice. Always use the physical product measurements for mark-ups and roughing-in as the line drawing shown may differ from the actual product over time. All measurements are shown in millimetres.

Radii is a Registered Trademark of Phoenix Industries Pty. Ltd.

V050617

[www.phoenixtapware.com.au](http://www.phoenixtapware.com.au)  
03 9780 4200



# PHOENIX

## SPECIFICATIONS

### RADII

### SHOWER / BATH DIVERTER MIXER

PRODUCT CODE:

RA791 CHR

FINISH:

CHROME

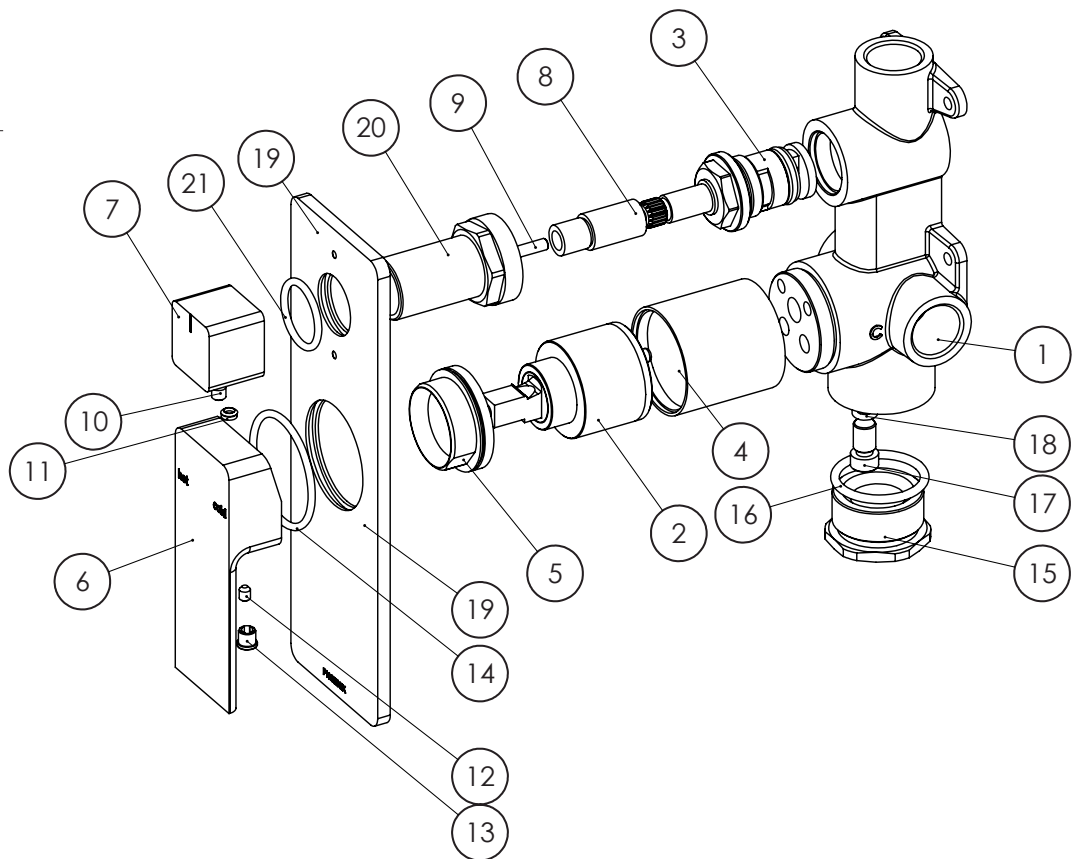
WELS:

N/A



#### PARTS LIST

1. DIVERTER MIXER BREACH
2. 35MM CARTRIDGE
3. DIVERTER ASSEMBLY
4. WALL MIXER BODY
5. LOCKNUT
6. MIXER HANDLE
7. DIVERTER BUTTON
8. SPINDLE ADAPTER
9. SCREW M4X14
10. GRUB SCREW M5X5
11. SCREW CAP
12. GRUB SCREW M4X5
13. SCREW CAP
14. O-RING
15. WALL BREACH ADAPTER
16. O-RING
17. END SEAL
18. O-RING
19. DRESS PLATE
20. DIVERTER LOCKNUT
21. O-RING



#### MAINTENANCE AND CARE:

- All surfaces should be cleaned with mild liquid detergent or soap and water.
- Do not use cream cleaners or citrus based cleaning products, as they are abrasive.
- Use of unsuitable cleaning agents may damage the surface. Any damage caused in this way will not be covered by warranty.

#### PACKAGING INCLUDES

- 1 x Diverter mixer
- 1 x Mixer handle
- 1 x Dress plate
- 1 x Installation kit
- 1 x Installation instructions
- 1 x Warranty card

PLEASE [CLICK HERE](#) TO VIEW FULL WARRANTY

While we aim to ensure the specifications shown are correct at time of printing, Phoenix Tapware reserves the right to make modifications without prior notice. Always use the physical product measurements for mark-ups and roughing-in as the line drawing shown may differ from the actual product over time. All measurements are shown in millimetres.

Radii is a Registered Trademark of Phoenix Industries Pty. Ltd.

V050617

[www.phoenixtapware.com.au](http://www.phoenixtapware.com.au)  
03 9780 4200