

Caroma®

Opal 510

Ceramic Wall Basin

Nominal Size: 510mm x 450mm

CI/SfB	(74.2)	g3
Date	October 2015	

Supersedes all previous issues

1.15.1



One taphole version shown

Caroma®

Opal 510

Ceramic China Wall Basin

Basin Size: 510mm x 450mm (nominal)

Vitreous China Shroud



The Opal 510 wall basin is part of an extensive range of co-ordinated basins that allows continuity of design throughout the project where basins of matching design for different applications are required. The design offers smooth rounded contours and clean lines. Available with optional shroud, this basin is suitable for domestic, commercial and ♿ accessible applications complying to AS 1428.1-2009 Amd. 1.* (refer to Compliant Product section).

Tap Holes: Basin available in: No tapholes Code No.632600; one taphole – centre option Code No.632610; three tapholes Code No.632630.

Waste Outlet: The basin has been designed for the Caroma waste outlet suitable for a 40mm trap connection. Chrome flush fitting waste and white plug supplied. Alternative waste options are available — Plug & anti-vandal flush fitting chrome waste Code No.687141C; Plug & flush fitting chrome waste Code No.687327C; Chrome pop-up plug and waste Code No.687329C; 40mm Modena bottle trap Code No.687290C.

Shroud: **Optional Opal Shroud**, Code No.632601 completely conceals P-trap waste pipe fittings, concealed fixing bracket supplied. 40mm Caroma short plastic P-trap is required for correct installation Code No.102115.

Note: It is essential for the installation of the shroud to the basin that clearance is provided for the shroud in the plumbing setout from water inlet pipes and connections.

Bowl Capacity: 9.5 litres

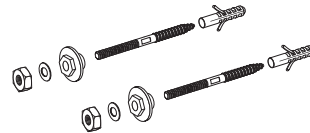
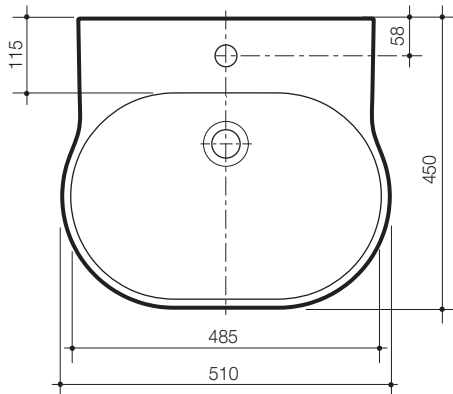
Overflow: Overflow not available.

Fixing: **D.200 Basin Fixing Kit** – Supplied. Bolts directly to the finished wall.

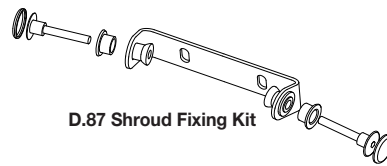
Colours: White only.

Dimensions: All dimensions are in millimetres and are subject to normal manufacturing variations. Caroma pursues a policy of continuing improvement in design and performance of its products. The right is therefore reserved to vary specifications without notice.

*Basin does not comply to NZS4121.



D.200 Basin Fixing Kit
included with basin



D.87 Shroud Fixing Kit

