

Caroma®

CI/SfB	(74.2)	g3
Date	October 2016	

Supersedes all previous issues

Liano

Ceramic Hand Wall Basin

Nominal Size: 460mm x 280mm

1.13.2





The **Liano** hand wall basin has been designed to meet the needs of the designer market for prestige projects. An architectural minimalist style was adopted for the Liano hand basin incorporating a compact bowl area and distinctive tapware platform with a wall projection of only 280mm making it suitable for areas where space is a premium. The basin is suitable for general purpose domestic and commercial applications.

Tap Holes: Basin available in: One taphole – centre Code No.649715.

Waste Outlet: The basin has been designed for the Caroma waste outlet suitable for a 40mm trap connection. Chrome flush fitting waste and white plug supplied. Alternative waste options are available — Plug & anti-vandal flush fitting chrome waste Code No.687141C; Plug & chrome grate waste Code No.687328C; Chrome pop-up plug and waste Code No.687329C.

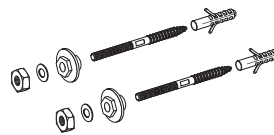
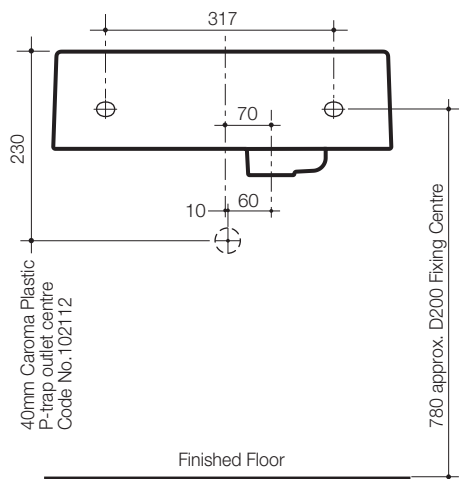
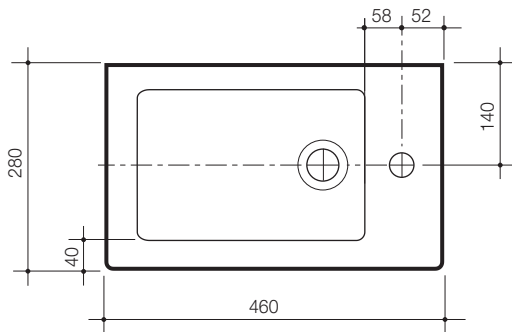
Bowl Capacity: 2 litres to overflow.

Overflow: Overflow available only. Designed for maximum tap flow rate of 15 litres/minute.

Fixing: **D.200 Basin Fixing Kit** – Supplied. Bolts directly to the finished wall.

Colours: White only.

Dimensions: All dimensions are in millimetres and are subject to normal manufacturing variations. Caroma pursues a policy of continuing improvement in design and performance of its products. The right is therefore reserved to vary specifications without notice.



D.200 Basin Fixing Kit
included with basin

