



Atlanta Glass Shelf 500mm

Product Code:093784

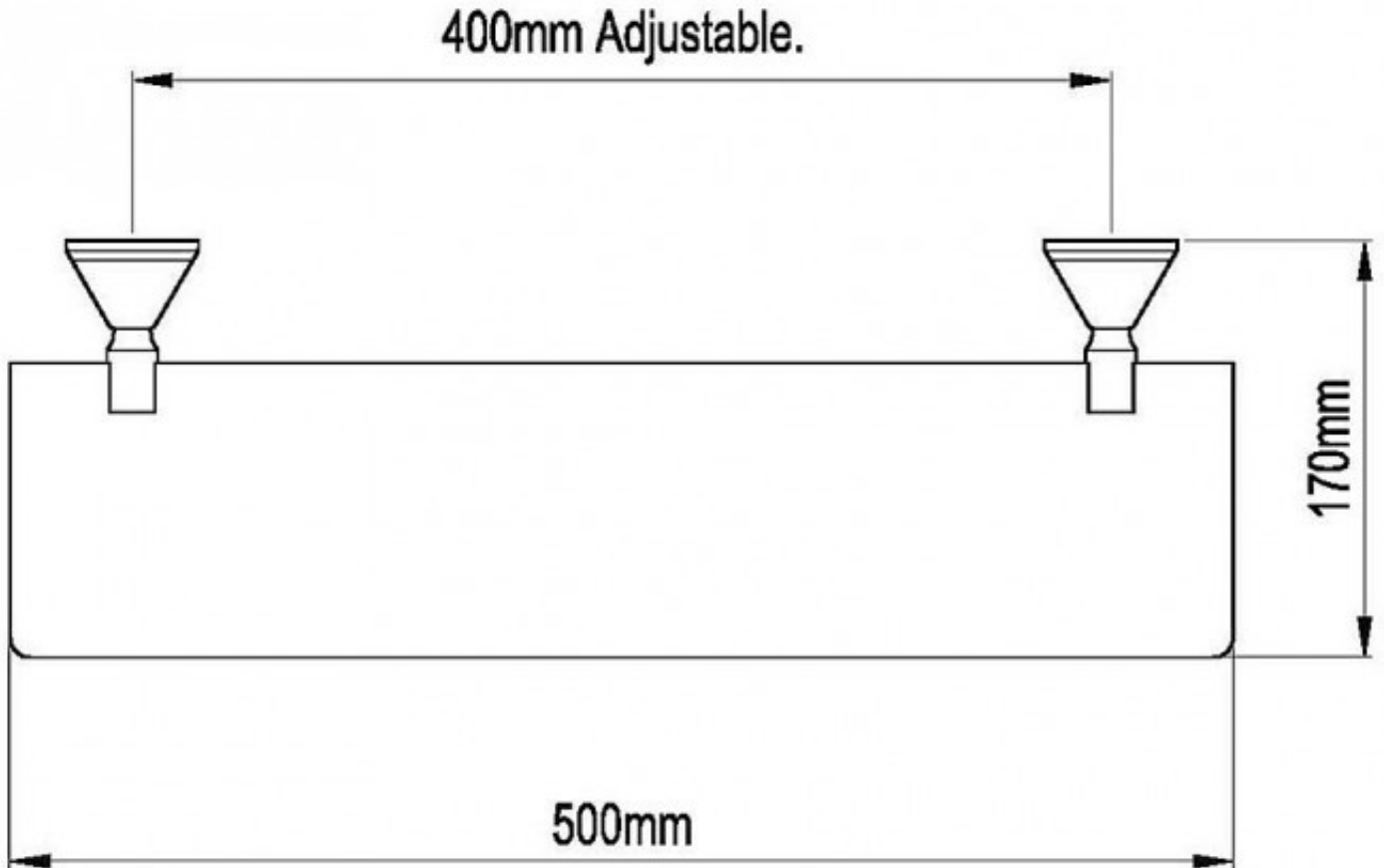
1800 RAYMOR
raymor.com.au

Raymor
more like you

Atlanta Glass Shelf 500mm

PRODUCT SPECIFICATION

Product Code	093784
Material	Brass & tempered glass
Finish	Chrome plated
Warranty	Visit www.raymor.com.au
Rail Length	400mm adjustable
Size	500mm
Wall Fixing	Double Point



Printed:27/09/2020

© Raymor 2017. All rights reserved.

Version 1 1/09/2017

All measurements are in millimetres and are to be used as a guide only. Specifications and materials may change without notice. Whilst all care has been taken to ensure that all details are correct at the time of print we reserve the right to correct any errors, inaccuracies or omissions or to change or update any details or information at any time without notice.

*Subject to terms and conditions available at raymor.com.au

Raymor
more like you