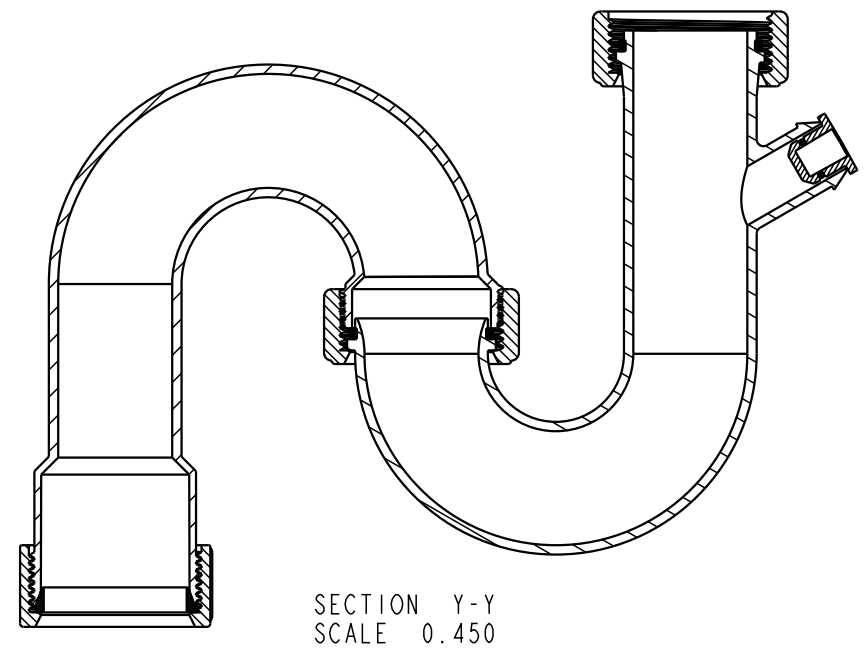
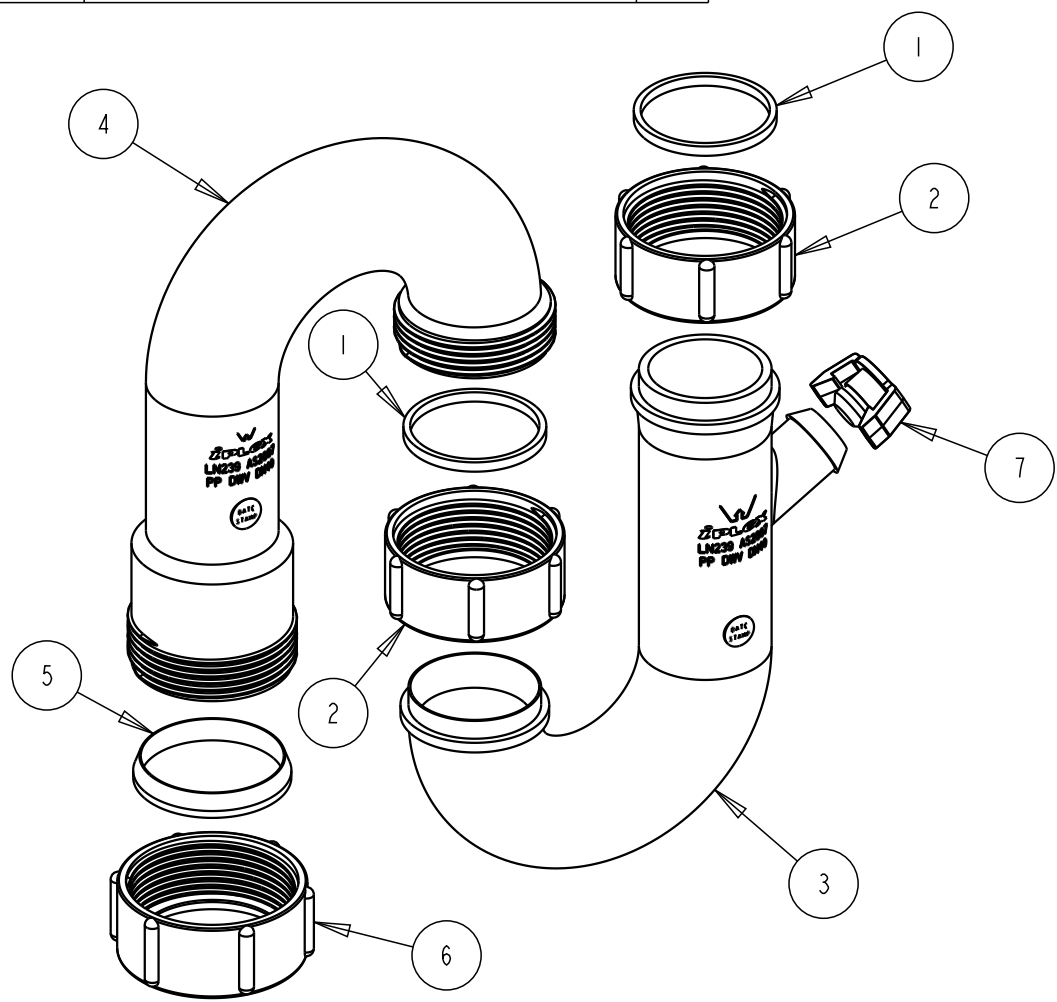



ITEM	Drg.No.	DESCRIPTION	QTY
1	15523	40mm ELBOW SEAL	2
2	14577	GI 1/2" NUT	2
3	19786	IPLEX 40mm BEND FOR S & P WITH DWC	1
4	19789	IPLEX 40mm BEND FOR S TRAP	1
5	15881	40mm TAPER SEAL	1
6	16356	40mm CUSTOM NUT	1
7	19728	TRAP DISHWASHER PLUG - ASSEMBLY	1



A	RELEASE FOR PRODUCTION	17:1:20
ISSUE	CHANGE	DATE
 <b>PLASTEC</b> INNOVATIVE PLUMBING SOLUTIONS 2-4 Enterprise Street Caloundra QLD 4551 Australia		<a href="http://www.plastec.com.au">www.plastec.com.au</a> Tel: 61 7 5413 4444 Fax: 61 7 5491 8918
<b>IPLEX - 40 PP S STANDARD</b>		UNSTATED TOLERANCES, LINEAR 0,0 ± 0,3 0,00 ± 0,15 0,000 ± 0,05 ANGULAR 0,0 ± 1° 0,00 ± 0,25°
CAD FILE: 19805_IPLEX_40_S_TRAP_ASSY CREATED IN Pro/ENGINEER. DIGITAL DATA AVAILABLE. DIMENSIONS IN MILLIMETRES. DO NOT SCALE.		DATE: Jan-17-20 DRAWN: A.Hobbs APPROVED: AP SHEET: 1 OF 1
COPYRIGHT THIS DRAWING IS ISSUED BY PLASTEC AUSTRALIA PTY. LTD. ON THE UNDERSTANDING THAT IT IS STRICTLY CONFIDENTIAL AND WILL NOT BE REPRODUCED IN ANY WAY WITHOUT PRIOR PERMISSION.		<b>19805</b>