



AVK GATE VALVE PN16 WITH PE MECHANICAL COUPLING ENDS

01/70

To EN 1074-2
With tensile Supa Plus™ coupling for PE-pipe
For Polyethylene pipes PE100, PN16 - SDR11 to AS/NZ 4130

Use:

- For water, sewage and neutral liquid applications
- Total angular deflection of ± 3.5 degrees per end
- For use in cold water applications

Tests:

- Hydraulic test to DIN 3230 part 4:
 - Seat: 1.1 X PN
 - Body: 1.5 X PN
 - Operating torque test

Optional Extras:

- Handwheel



Quality
ISO 9001

SAI GLOBAL



Health & Safety
AS 4801

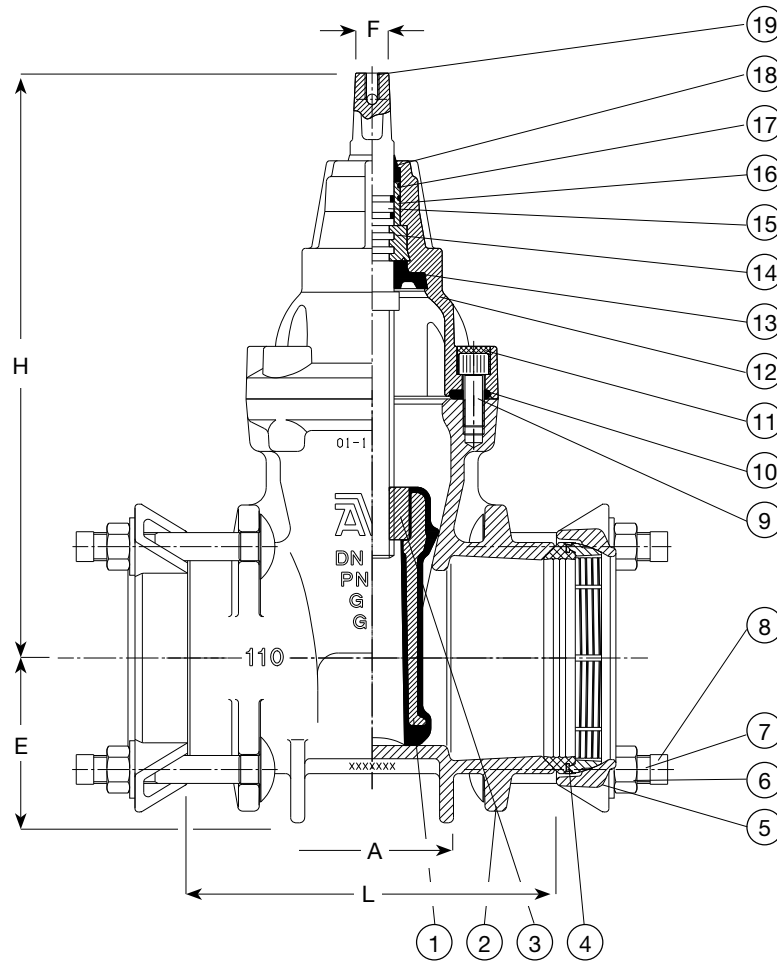
SAI GLOBAL



Environment
ISO 14001

SAI GLOBAL





Component list

1. Wedge	Ductile Iron, GGG-50, core fully vulcanised with EPDM rubber	9. Bonnet bolt	Stainless Steel A2, sealed with hot melt
2. Body	Ductile Iron, GGG-40, to DIN 1693, EN-GJS: EN 1563 1998	10. Bonnet gasket	EPDM rubber
3. Wedge nut	Dezincification resistant brass, CZ 132 to BS 2874	11. Hot melt	
4. Tensile sealing ring	Gun metal, DIN 17005 RG5 / EPDM rubber	12. Bonnet	Ductile Iron, GGG-40, to DIN 1693, EN-GJS: EN 1563 1998
5. Bracket	Ductile Iron, GGG-40, to DIN 1693, EN-GJS: EN 1563 1998	13. Stem seal	
6. Nut	Stainless Steel (AISI 316), A4 grade 80 PTFE coated	14. Thrust collar	Dezincification resistant brass, CZ 132 to BS 2872
7. Square neck bolt	Stainless Steel, A2 grade 80	15. O-ring	NBR
8. Cap	Ductile Iron 400-12 to AS 1831	16. Bushing	
		17. O-ring	NBR
		18. Wiper ring	NBR
		19. Stem	Stainless Steel, DIN X 20 Cr 13

Components can be substituted with equivalent or higher class materials.

Reference nos. and dimensions

AVK ref. nos. CC	AVK ref. nos. ACC	DN mm	OD PE	A mm	E mm	H mm	L mm	F mm	Number of bolts	Theoretic weight kg
01-050-70416	01-050-70516	40	50	64	44	236	182	14	2 x 2 M16	7
01-063-70416	01-063-70516	50	63	68	52	241	182	14	2 x 2 M16	8
01-075-70416	01-075-70516	65	75	70	58	271	182	17	2 x 2 M16	9