



AVK RESILIENT SEAT GATE VALVE PN25

57/80

Stem sealing exchangeable under pressure
Face to face dimension to AS 2638.2
Flange to AS 4331 (PN25), drilled to AS 4087 B6 / AS 2129 Table F

Use:

- For water, sewage and neutral liquid applications
 - Valve designed for use up to 70°C
 - Where applicable; for AS 4020 compliance, max temp = 40°C
- Note: Always observe pipe material recommended operating temperatures

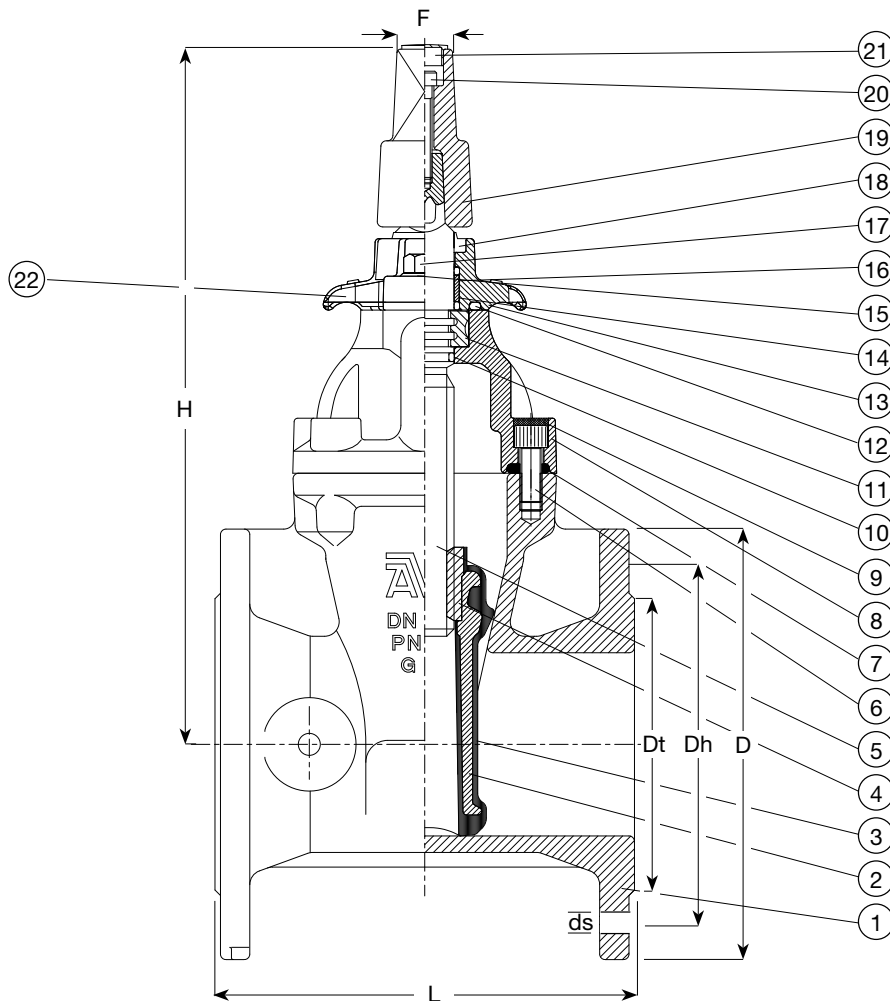
Tests:

- Hydraulic test:
 - Seat: 27.5 bar
 - Body: 37.5 bar
 - Operating torque test

Optional Extras:

- Handwheel
- ISO flanging for actuation
- Gearbox
- Flange to EN 1092 (PN25), drilled to EN 1092 PN25
- Flange to AS 4331 (PN25), drilled to ANSI 150# RF





Component list

1. Valve body	Ductile Iron, 500-7 to AS 1831	to AS 2345	
2. Wedge casting	Ductile Iron, 500-7 to AS 1831	12. Body	Ductile Iron, 500-7 to AS 1831
3. Wedge rubber	EPDM rubber	13. Gland flange	Ductile Iron, 500-7 to AS 1831
4. Stem nut	Dezincification resistant brass, CZ 1301 to AS 2345	14. Bushing	Polyamid
5. Stem	Stainless Steel 431	15. Washer	Stainless Steel 316
6. Bonnet bolts	Grade 12.9 high tensile, sealed with hot melt	16. O-ring seal	NBR
7. Bonnet gasket	EPDM rubber	17. Gland bolts	Stainless Steel 316
8. Bonnet	Ductile Iron, 500-7 to AS 1831	18. Wiper ring	NBR
9. Hot melt seal		19. Stem cap	Ductile Iron, 400-12 to AS 1831
10. O-ring seal	NBR	20. Stem cap bolt	Stainless Steel 304
11. Stem collar	Dezincification resistant brass, CZ 1301	21. Insert	
		22. Lifting device	

Components can be substituted with equivalent or higher class materials.

Reference nos. and dimensions - Flange to AS 4331 (PN25), drilled to AS 4087 B6

AVK ref. nos. CC	AVK ref. nos. ACC	DN mm	L mm	H mm	Dt mm	D mm	Dh mm	ds mm	Holes nos.	F mm	Weight kg	Flange thickness
57-050-802748120	57-050-803748120	50*	178	320	103	165	127	19	4	35	17	19
57-080-802748120	57-080-803748120	80	203	350	133	200	165	19	8	35	22	22
57-100-802748120	57-100-803748120	100	229	380	159	235	191	19	8	35	30	22
57-150-802748120	57-150-803748120	150	267	485	214	300	260	22	12	35	52	23
57-200-802748120	57-200-803748120	200	292	595	274	360	324	22	12	35	80	25
57-250-802748120	57-250-803748120	250	330	680	331	425	381	26	12	35	132	27.5
57-300-802748120	57-300-803748120	300	356	755	389	485	438	26	16	35	180	31

* To AS 2129 Table F

Reference nos. and dimensions - Flange to EN 1092 (PN25), drilled to EN 1092 PN25

AVK ref. nos. CC	AVK ref. nos. ACC	DN mm	L mm	H mm	Dt mm	D mm	Dh mm	ds mm	Holes nos.	F mm	Weight kilos	Flange thickness
57-050-802348120	57-050-803348120	50	178	320	103	165	125	19	4	35	17	19
57-080-802348120	57-080-803348120	80	203	350	133	200	160	19	8	35	22	22
57-100-802348120	57-100-803348120	100	229	380	159	235	190	22	8	35	30	22
57-150-802348120	57-150-803348120	150	267	485	214	300	250	26	8	35	52	23
57-200-802348120	57-200-803348120	200	292	595	274	360	310	26	12	35	80	25
57-250-802348120	57-250-803348120	250	330	680	331	425	370	29	12	35	132	27.5
57-300-802348120	57-300-803348120	300	356	755	389	485	430	29	16	35	180	31

Reference nos. and dimensions - Flange to AS 4331 (PN25), drilled to ANSI 150# RF

AVK ref. nos. CC	DN mm	L mm	H mm	Dt mm	D mm	Dh mm	ds mm	Holes nos.	F mm	Weight kilos	Flange thickness
57-050-802248120	50	178	320	103	165	121	19	4	35	17	19
57-080-802248120	80	203	350	133	200	152	19	4	35	22	22
57-100-802248120	100	229	380	159	235	191	19	8	35	30	22
57-150-802248120	150	267	485	214	300	241	22	8	35	52	23
57-200-802248120	200	292	595	274	360	299	22	8	35	80	25
57-250-802248120	250	330	680	331	425	362	26	12	35	132	27.5
57-300-802248120	300	356	755	389	485	432	26	12	35	180	31