



AVK RESILIENT SEAT GATE VALVE PN16

570/90

To AS 2638.2, reduced weight and environmentally friendly

Stem sealing exchangeable under pressure

Face to face dimension to AS 2638.2

Flange and drilling to AS 4087 Figure B5 (AS 2129 Table D and raised face) or AS 2129 Table E and raised face

Use:

- For water, sewage and neutral liquid applications
 - Valve designed for use up to 70°C
 - Where applicable; for AS 4020 compliance, max temp = 40°C
- Note: Always observe pipe material recommended operating temperatures

Tests:

- Hydraulic test to AS 2638.2:
 - Seat: 17.6 bar
 - Body: 24 bar
 - Operating torque test

Optional Extras:

- Handwheel (refer to series 570/98)
- ISO flange for gearbox/actuation (refer to series 570/92)



DN80, 100



DN225, 250, 300, 375, 400



Quality
ISO 9001

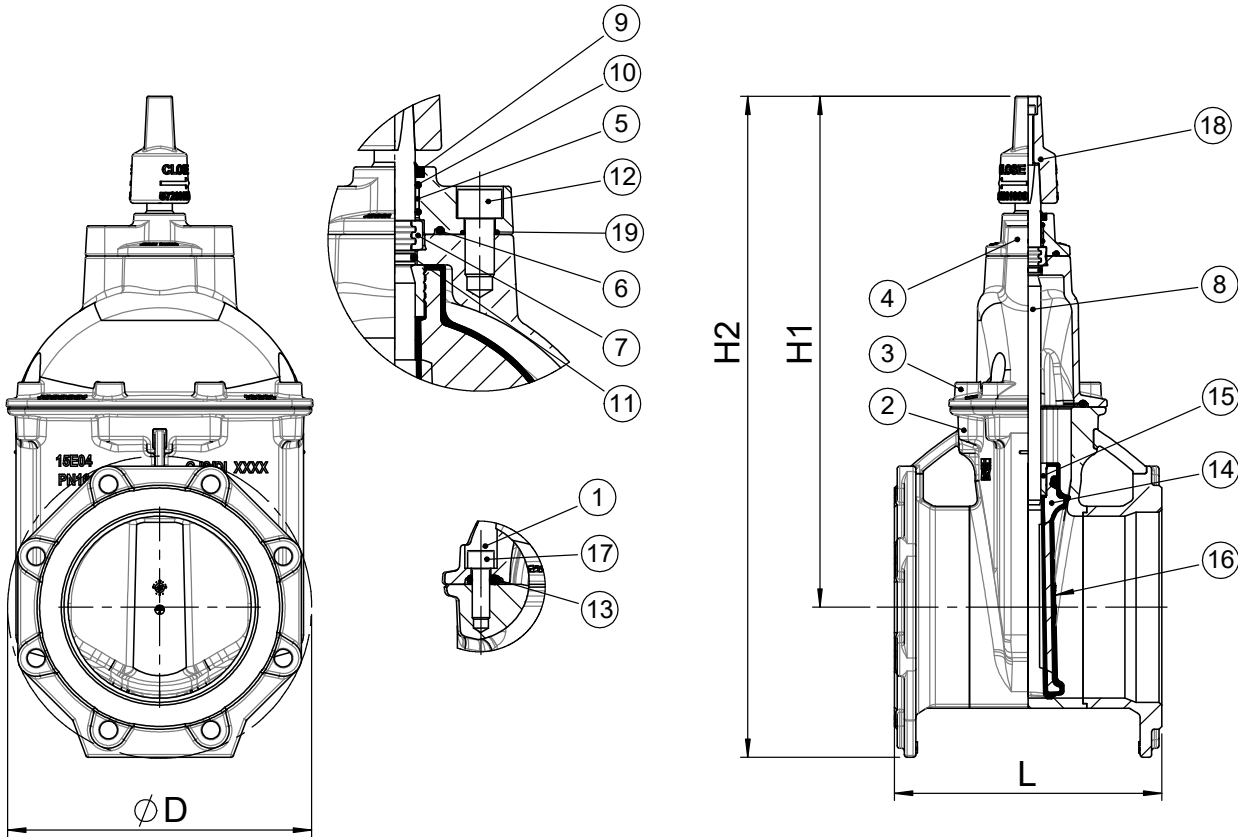


Health & Safety
AS 4801



Environment
ISO 14001





Component list

1. Hot melt seal		12. Bolt socket	Stainless Steel 316, fully encapsulated with hot melt glue
2. Body	Ductile Iron, 500-7 to AS 1831	13. Bonnet gasket	EPDM rubber
3. Bonnet	Ductile Iron, 500-7 to AS 1831	14. Wedge	Ductile Iron, 500-7 to AS 1831
4. Gland flange	Stainless Steel CF8M	15. Wedge nut	Dezincification resistant brass, CZ 132 to AS 2345
5. Bushing	Polyamid	16. Wedge rubber	EPDM
6. O-ring	NBR	17. Bolt socket	Stainless Steel 316, fully encapsulated with hot melt glue
7. Thrust collar	Dezincification resistant brass, CZ 132 to AS 2345	18. Stem cap	Ductile Iron, 500-7 to AS 1831, 35mm cap square
8. Stem	Stainless Steel 431	19. O-ring	NBR
9. Wiper ring	NBR		
10. O-ring	NBR		
11. O-ring	NBR		

Components can be substituted with equivalent or higher class materials.

Reference nos. and dimensions - Flange drilling to AS 4087 Figure B5 (AS 2129 Table D)

AVK ref. nos. CC	AVK ref. nos. ACC	DN mm	L mm	H1 mm	H2 mm	D mm	Hole OD mm	Holes nos.	Bolt PCD	Stem SQR	Weight kg
Refer 57/90 Datasheet		50*									
Refer 57/90 Datasheet		65*									
570-080-902540120	570-080-903540120	80	203	324	397	190	18	4	146	19	13
570-100-902540120	570-100-903540120	100	229	347	430	218	18	4	178	19	16
570-150-902540120	570-150-903540120	150	267	429	572	285	18	8	235	19	34
570-200-902540120	570-200-903540120	200	292	561	726	332	18	8	292	24	52
570-225-902540120	570-225-903540120	225	305	643	828	370	18	8	324	27	87
570-250-902540120	570-250-903540120	250	330	656	858	405	22	8	356	27	93
570-300-902540120	570-300-903540120	300	356	739	967	455	22	12	406	27	126
570-375-902540120	570-375-903540120	375	381	917	1192	550	26	12	495	32	227
570-400-902540120	570-400-903540120	400	406	930	1220	580	26	12	521	32	237

* Not specified in AS 2638.2

Reference nos. and dimensions - Flange drilling to AS 2129 Table E

AVK ref. nos. CC	AVK ref. nos. ACC	DN mm	L mm	H1 mm	H2 mm	D mm	Hole OD mm	Holes nos.	Bolt PCD	Stem SQR	Weight kg
Refer 57/90 Datasheet		50*									
Refer 57/90 Datasheet		65*									
570-080-902540120	570-080-903540120	80	203	324	397	190	18	4	146	19	13
570-100-902640120	570-100-903640120	100	229	347	430	218	18	8	178	19	18
570-150-902640120	570-150-903640120	150	267	429	572	285	22	8	235	19	34
570-200-902640120	570-200-903640120	200	292	561	726	332	22	8	292	24	52
570-225-902640120	570-225-903640120	225	305	643	828	370	22	12	324	27	87
570-250-902640120	570-250-903640120	250	330	656	858	405	22	12	356	27	93
570-300-902640120	570-300-903640120	300	356	739	967	455	26	12	406	27	126
570-375-902540120	570-375-903540120	375	381	917	1192	550	26	12	495	32	227
570-400-902540120	570-400-903540120	400	406	930	1220	580	26	12	521	32	237

* Not specified in AS 2638.2