



AVK STEM CAPS FOR GATE VALVES

57/16

To AS 2638.1 and AS 2638.2

Use:

- For gate valves, non rising stem, inside screw type

Note:

- Cannot be used for:
 - OS&Y gate valves
 - Series 57/42 and 57/43 ISO mounting pad valves



Anti-Clockwise
Close



Clockwise
Close



Recycled Water
Use

Insert & screw

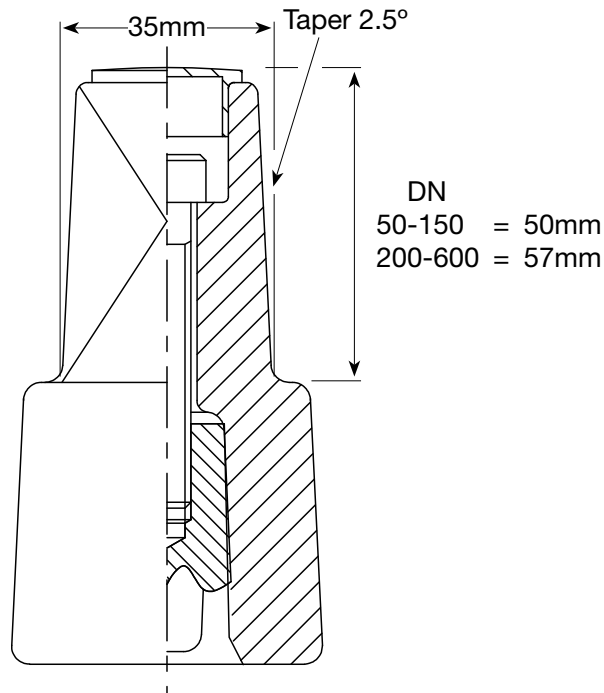


ACC



CC





Component list

- | | |
|-------------|--|
| 1. Stem cap | Ductile Iron, 400-12 to AS 1831 |
| 2. Coating | Electrostatically applied epoxy resin to AS/NZS 4158 |
| 3. Screw | 316 Stainless Steel |
| 4. Insert | Plastic (Red = CC, White = ACC) |

Components can be substituted with equivalent or higher class materials.

Reference nos. and dimensions

AVK ref. nos. CC	AVK ref. nos. ACC	Purple	57/40 - PN16	To suit series			Theoretic weight kg
			57/90 - PN16	57/80 - PN25	55 - PN16		
57-050-1605	57-050-1612	-	-	-	-	0.89	
57-090-1605	57-090-1612	57-090-1614	-	50-100	-	0.89	
57-100-1605	57-100-1612	57-100-1614	50-100	-	50-100	0.89	
57-150-1605	57-150-1612	57-150-1614	150	150-200	150	1.06	
57-300-1605	57-300-1612	-	200-300	225-300	200-300	1.31	
57-400-1605	57-400-1612	-	375-400	-	-	1.84	
57-600-1605	57-600-1612	-	-	-	450-600	1.49	