



AVK RESILIENT SEAT GATE VALVE OS&Y PN16

570/96

Face to face dimension to AS 2638.2
Flange to AS 4087, drilling to AS 4087 B5 or AS 2129 Table E and raised face

Use:

- For water, sewage and neutral liquid applications
- Valve designed for use up to 70°C
- Where applicable; for AS 4020 compliance, max temp = 40°C
Note: Always observe pipe material recommended operating temperatures

Tests:

- Hydraulic test to AS 2638.2:
 - Seat: 17.6 bar
 - Body: 24 bar
 - Operating torque test

Approvals:

- Certified to AS2638.2 (Gate valves for waterworks purposes resilient seated)
- SAI Global License numbers
 - StandardsMark: SMK02420
 - WaterMark: WMKA02420
- ActivFire SSL Listed: afp-3356



Quality
ISO 9001
SAI GLOBAL



Health & Safety
AS 4801
SAI GLOBAL

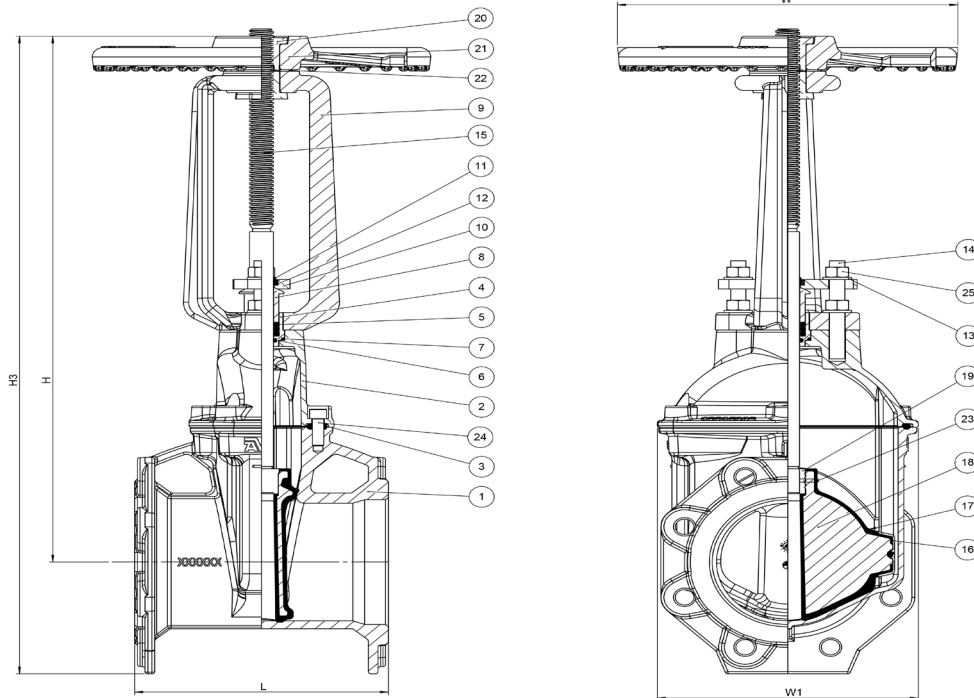


Environment
ISO 14001
SAI GLOBAL



Australian Standard
AS2638.2
Lic. SMK02420
SAI Global





Component list

1. Body	Ductile Iron, 500-7 to AS 1831	14. Stud Bolt	Stainless steel A4-70
2. Bonnet	Ductile Iron, 500-7 to AS 1831	15. Stem	Stainless steel - 316
3. Bonnet Gasket	EPDM rubber	16. Wedge Shoe	Polyamide
4. Bushing	DZR Brass - CW602N	17. Wedge Rubber	EPDM - Rubber
5. Stem Seal	NBR - Rubber	18. Wedge Body	Ductile iron 500-7, to AS1831
6. O-Ring	NBR - Rubber	19. Wedge Nut	DZR Brass - CW602N
7. O-Ring	NBR - Rubber	20. Stem Nut	Copper Alloy no. C35330
8. Packing Gland	DZR Brass - CW602N	21. Handwheel	Ductile iron 500-7, to AS1831
9. Yoke	Ductile Iron, 500-7 to AS 1831	22. Washer	Copper alloy no. C83600
10. Gland Follower	Stainless steel - 316	23. Pin	Stainless steel - 316
11. Wiper Ring	NBR 90 Shore A - Rubber	24. Bolt	Stainless steel A4-70
12. Wiper Ring Core	Stainless steel - 316	25. Nut	Stainless steel A4-70
13. Washer	Stainless steel A4-70		

Components can be substituted with equivalent or higher class materials.

Reference nos. and dimensions- Flange drilling to AS 4087 Figure B5 (AS 2129 Table D)

AVK ref. nos.	DN mm	H mm	H3 mm	W mm	W1 mm	L mm	Holes ID mm	Holes nos.	Bolt PCD mm	Weight kg
570-080-960540120	80	454	527	Ø254	174	203	18	4	146	19
570-100-960540120	100	473	556	Ø254	195	229	18	4	178	22
570-150-960540120	150	671	813	Ø356	275	267	18	8	235	46
570-200-960540120	200	761	925	Ø356	335	292	18	8	292	64
570-225-960540120	225	957	1141	Ø458	422	305	18	8	325	112
570-250-960540120	250	970	1171	Ø458	422	330	22	8	356	118
570-300-960540120	300	1052	1279	Ø458	452	356	22	12	406	150

Reference nos. and dimensions- Flange drilling to AS 2129 Table E

AVK ref. nos.	DN mm	H mm	H3 mm	W mm	W1 mm	L mm	Holes ID mm	Holes nos.	Bolt PCD mm	Weight kg
570-080-960540120	80	454	527	Ø254	174.1	203	18	4	146	19
570-100-960640120	100	473	556	Ø254	195	229	18	8	178	22
570-150-960640120	150	671	813	Ø356	275	267	18	8	235	46
570-200-960640120	200	761	925	Ø356	275	267	22	8	292	64
570-225-960640120	225	957	1141	Ø458	422	305	22	12	325	112
570-250-960640120	250	970	1171	Ø458	422	330	22	12	356	118
570-300-960640120	300	1052	1279	Ø458	452	356	26	12	406	150