



## AVK SPRING HYDRANT SWAB TYPE PN16

30/10

To AS 3952, SWAB Type  
DN80 & DN100  
Flange and drilling to AS 4087 Fig. B5, DN80 or DN100

### Use:

- For fire protection services, water and neutral liquid applications - **SWAB design to allow for direct full bore access to the pipeline for insertion/removal of swabs**
- Valve designed for use up to 70°C
- Where applicable; for AS 4020 compliance, max temp = 40°C  
Note: Always observe pipe material recommended operating temperatures
- Insulation essential for installations subject to temperatures of 0°C and lower

### Tests:

- Hydraulic test to AS 3952:
  - Seat: 1.1 x PN
  - Body: 1.5 x PN

### Options:

- Non-SWAB type - refer to series 30/00
- Purple yoke for recycled water systems



Quality  
ISO 9001  
SAI GLOBAL



Health & Safety  
AS 4801  
SAI GLOBAL



Environment  
ISO 14001  
SAI GLOBAL

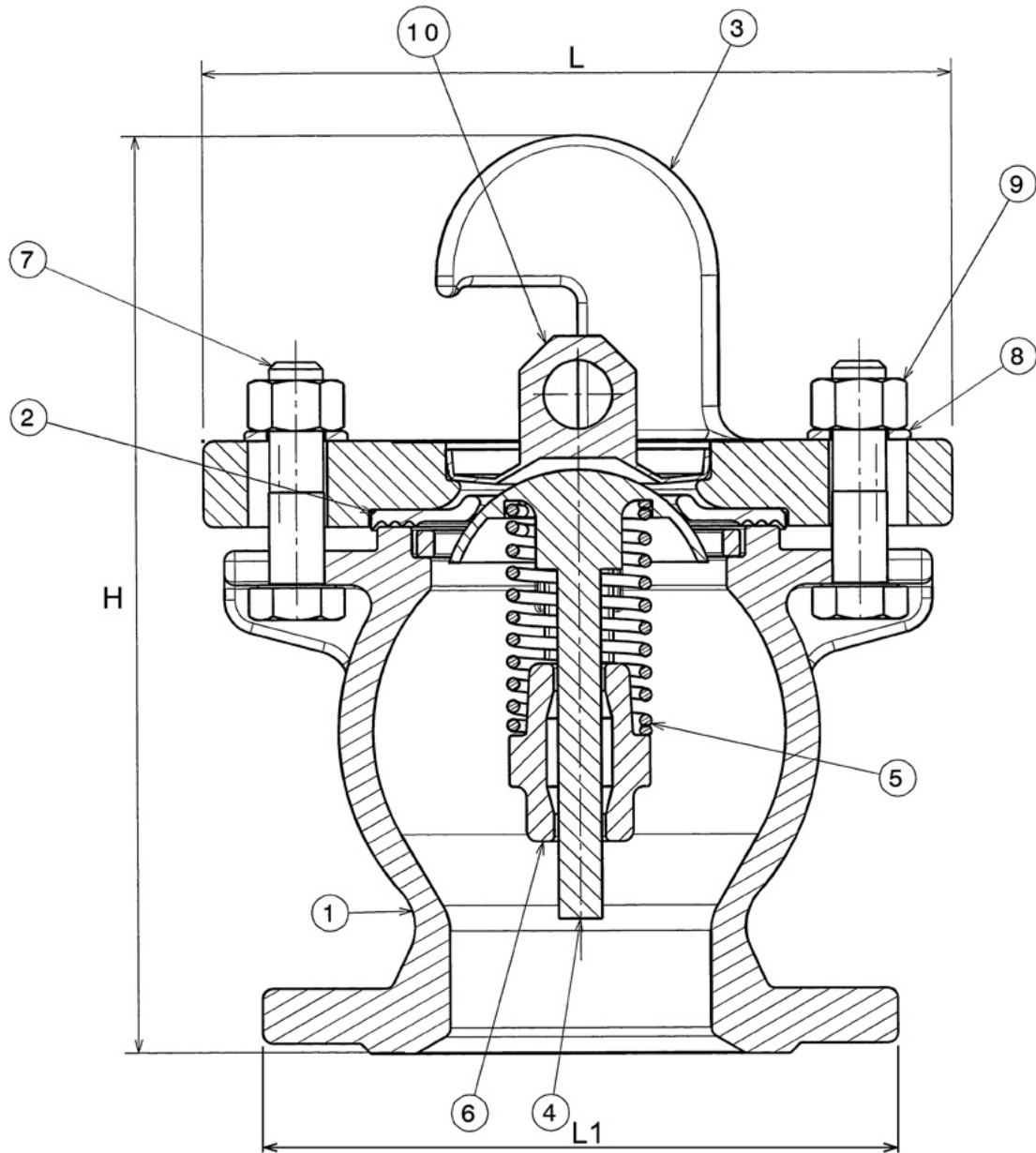
### Removable insert for swabbing



Australian  
Standard  
AS3952  
Lic. SMK20156  
SAI Global



Expect... **AVK**



**Component list**

1. Body	Ductile Iron to AS 1831 Grade 450-10	6. Valve guide	
2. Valve seat	EPDM to AS 1646	7. Bolt	Stainless Steel ASTM 276 Gr. 316
3. Yoke	Ductile Iron to AS 1831 Grade 450-10	8. Washer	Stainless Steel ASTM 276 Gr. 316
4. Dome	Brass to AS 1568	9. Nut	Stainless Steel ASTM 276 Gr. 316
5. Spring	Stainless Steel ASTM 276 Gr. 304	10. Plug	Polyethylene - PE - HD

Components can be substituted with equivalent or higher class materials.

**Reference nos. and dimensions**

AVK ref. nos.	Inlet Flange DN	H	L	L1	Weight kg
<b>SWAB - Blue Yoke</b>					
30-080-1015112	80	268	218	185	12.45
30-080-1025112	100	268	218	215	14.25
<b>SWAB - Purple Yoke</b>					
30-080-1015145	80	268	218	185	12.45
30-080-1025145	100	268	218	215	14.25