



AVK SUPA-GIB STRAIGHT COUPLING

601

Supa-Gib straight coupling, PN16 to DN675 (738mm OD)
Larger couplings to DN1200 (1314mm OD) available, see table below for PN rating
For Cast Iron, Ductile Iron, Steel, PVC-U, PVC-M, PVC-O, AC and copper pipes
Not recommended for use with HDPE

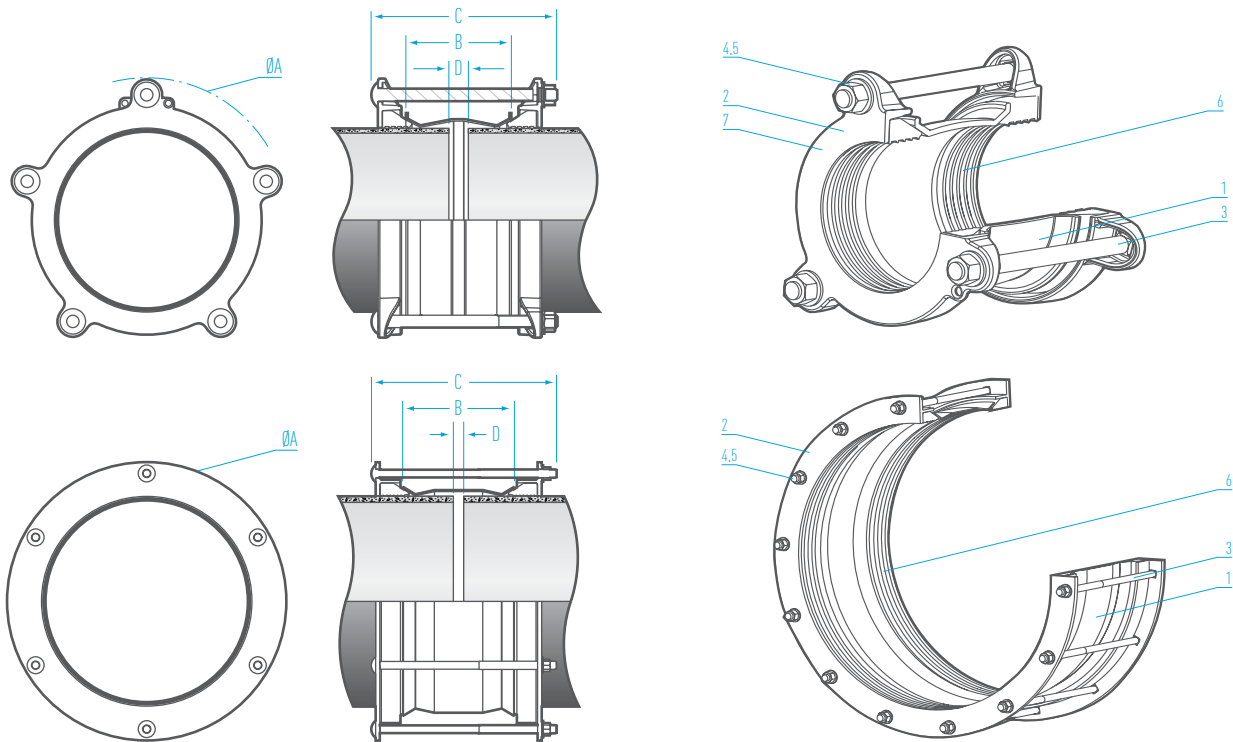
Use:

- For water and sewer applications to max 60°C
- Angular deflection up to + - 3 degrees (total 6 degrees)
- 16 bar / 160 meters allowable operating pressure (AOP) to 738mm OD
- Non restrained
- This product provides no longitudinal joint restraint

Standards and Approvals:

- All materials AS/NZS 4020 compliant
- Fully conforming to AS/NZS 4998:2009 bolted unrestrained mechanical couplings for waterworks purposes
- DN40 to DN675 Standards Licence Mark SMKP 25236 to AS 4998:2009





Component list

1. Barrel	Ductile Iron / AS 1831, 316 Stainless Steel / ASTM A240M	5. Washers	Steel - Galvanised / DIN 603
2. Flanges	Ductile Iron / AS 1831, 316 Stainless Steel / ASTM A276	6. Gasket	316 Stainless Steel / ISO 887 / ISO 7089 mild Steel - Galvanised
3. Bolts	316 Stainless Steel / DIN 603, mild Steel - Galvanised / DIN 603	7. Coating	Nitrile (NBR) compound, AS 1646 and AS/NZS 4020
4. Nuts	316 Stainless Steel / AS 1112.1, mild		Fusion coated / AS/NZS 4158

Components can be substituted with equivalent or higher class materials.

Reference nos. and dimensions - Short Barrel

AVK ref. nos.	DN mm	PN	Total angular deflection	Sealing range	Flange OD nominal A	Barrel length B	Bolt length C	Max. pipe gap D	Min. pipe gap D	Barrel material	Flange material	Bolts	No. bolts	Theoretic weight kg
601-5-0059-21-01	40	16	6	47-59	191	110	200	15	12	DI	DI	Gal	3	3
601-5-0059-21	40	16	6	47-59	191	110	200	15	12	DI	DI	SS	3	3
601-5-0071-21-01	50	16	6	59-71	198	110	200	15	12	DI	DI	Gal	3	3.3
601-5-0071-21	50	16	6	59-71	198	110	200	15	12	DI	DI	SS	3	3.3
601-5-0084-21-01	65	16	6	72-84	213	110	200	15	12	DI	DI	Gal	3	3.6
601-5-0084-21	65	16	6	72-84	213	110	200	15	12	DI	DI	SS	3	3.6
601-5-0103-21-01	80	16	6	88-103	238	110	240	15	12	DI	DI	Gal	3	4.9
601-5-0103-21	80	16	6	88-103	238	110	240	15	12	DI	DI	SS	3	4.9
601-5-0133-11-01	100	16	6	109-133	263	110	240	15	12	SS	DI	Gal	3	6
601-5-0133-11	100	16	6	109-133	263	110	240	15	12	SS	DI	SS	3	6
601-5-0147-21-01	125	16	6	123-147	277	110	240	15	12	DI	DI	Gal	3	7.5
601-5-0147-21	125	16	6	123-147	277	110	240	15	12	DI	DI	SS	3	7.5
601-5-0182-11-01	150	16	6	158-182	312	110	240	15	12	SS	DI	Gal	3	7.4
601-5-0182-11	150	16	6	158-182	312	110	240	15	12	SS	DI	SS	3	7.4
601-5-0194-21-01	150	16	6	170-194	324	110	240	15	12	DI	DI	Gal	3	9
601-5-0194-21	150	16	6	170-194	324	110	240	15	12	DI	DI	SS	3	9
601-5-0202-21-01	175	16	6	178-202	332	110	240	15	12	DI	DI	Gal	4	9.8
601-5-0202-21	175	16	6	178-202	332	110	240	15	12	DI	DI	SS	4	9.8
601-5-0238-13-01	200	16	6	214-238	371	136	240	30	15	SS	DI	Gal	5	11
601-5-0238-13	200	16	6	214-238	371	136	240	30	15	SS	DI	SS	5	11
601-5-0264-13-01	225	16	6	240-264	399	136	240	30	15	SS	DI	Gal	5	11.8
601-5-0264-13	225	16	6	240-264	399	136	240	30	15	SS	DI	SS	5	11.8
601-5-0334-15-01	300	16	6	310-334	490	176	300	80	15	SS	DI	Gal	6	20.8
601-5-0334-15	300	16	6	310-334	490	176	300	80	15	SS	DI	SS	6	20.8
601-5-0354-15-01	300	16	6	330-354	510	176	300	80	15	SS	DI	Gal	6	21.7
601-5-0354-15	300	16	6	330-354	510	176	300	80	15	SS	DI	SS	6	21.7

AVK ref. nos.	DN mm	PN	Total angular deflection	Sealing range	Flange OD nominal A	Barrel length B	Bolt length C	Max. pipe gap D	Min. pipe gap D	Barrel material	Flange material	Bolts	No. bolts	Theoretic weight kg
601-5-0984-17-1	900	12	3	960-984	1117	216	350	80	25	SS	SS	SS	18	102
601-5-0994-17-1	900	12	3	970-994	1127	216	350	80	25	SS	SS	SS	18	103
601-5-1027-17-1	1000	10	3	1003-1027	1160	216	350	80	25	SS	SS	SS	22	109
601-5-1034-17-1	1000	10	3	1010-1034	1037	216	350	80	25	SS	SS	SS	22	108
601-5-1054-17-1	1000	10	3	1030-1054	1187	216	350	80	25	SS	SS	SS	22	110
601-5-1064-17-1	1000	10	3	1040-1064	1197	216	350	80	25	SS	SS	SS	22	111
601-5-1074-17-1	1000	10	3	1050-1074	1207	216	350	80	25	SS	SS	SS	22	112
601-5-1080-17-1	1000	10	3	1056-1080	1213	216	350	80	25	SS	SS	SS	22	112
601-5-1094-17-1	1000	10	2	1070-1094	1227	216	350	80	25	SS	SS	SS	22	114
601-5-1104-17-1	1000	10	2	1080-1104	1237	216	350	80	25	SS	SS	SS	22	115
601-5-1124-17-1	1100	10	2	1100-1124	1257	216	350	80	25	SS	SS	SS	22	116
601-5-1136-17-1	1100	10	2	1112-1136	1269	216	350	80	25	SS	SS	SS	22	117
601-5-1154-17-1	1100	10	2	1130-1154	1287	216	350	80	25	SS	SS	SS	22	119
601-5-1164-17-1	1100	10	2	1140-1164	1297	216	350	80	25	SS	SS	SS	22	120
601-5-1204-17-1	1100	10	2	1180-1204	1337	216	350	80	25	SS	SS	SS	22	123
601-5-1224-17-1	1200	10	1.5	1200-1224	1357	216	350	80	25	SS	SS	SS	22	125
601-5-1239-17-1	1200	9	1.5	1215-1239	1372	216	350	80	25	SS	SS	SS	24	128
601-5-1294-17-1	1200	9	1.5	1270-1294	1427	216	350	80	25	SS	SS	SS	24	132
601-5-1304-17-1	1200	9	1.5	1280-1304	1437	216	350	80	25	SS	SS	SS	24	133
601-5-1314-17-1	1200	9	1.5	1290-1314	1447	216	350	80	25	SS	SS	SS	24	134
601-5-1324-17-1	1200	9	1.5	1300-1324	1457	216	350	80	25	SS	SS	SS	24	135