



AVK SUPPORT BUSH, WEDGE TYPE

05/E-008

For insertion in PE pipes



AVK recommends usage of a support bushes in PE pipes when using a tensile coupling or flange adaptor such as an AVK combi-flange and a Supa Plus™ or Supa Maxi™ coupling. AVK support bushes are made of stainless steel AISI 304 and are available for SDR 11, SDR 13,6, SDR 17 and SDR 17,6 PE pipes. For pipes supplied in rolls, AVK recommends using support bushes in order to ensure correct chamfering and restore the roundness of the pipe.



Product description:

Support bush for PE pipes



Features:

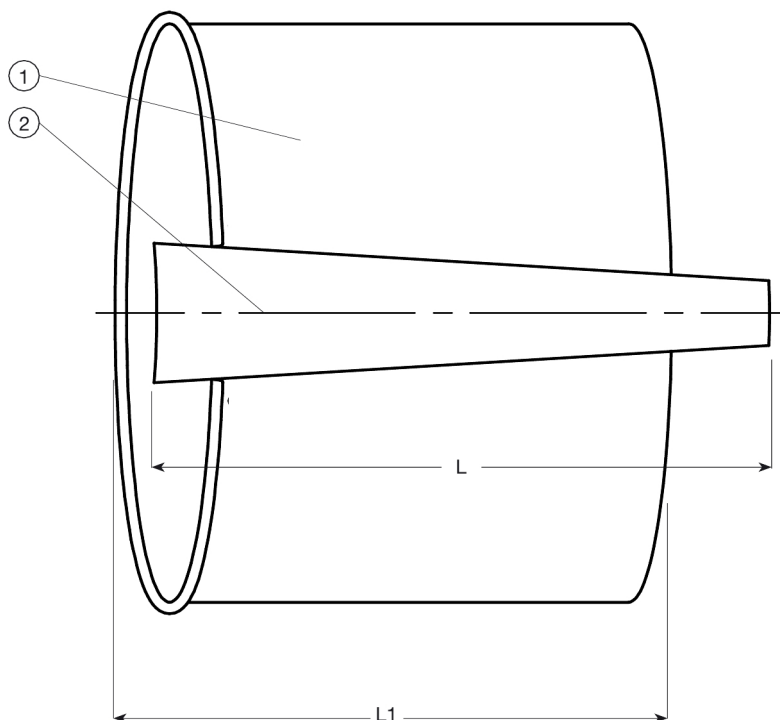
- Support bush is manufactured from stainless steel AISI 304.
- In order to prevent corrosion, the support bush is pickled and passivated.
- Standard sizes are SDR 11, SDR 13.6, SDR 17 and SDR 17.6. Other SDR sizes are available on request.
- Available for PE pipes DN 50 - DN 400. Other DN sizes are available on request.



05-XXX-54-002,
DN 25-50
in PP (Polypropylene)

Expect ... **AVR**

For insertion in PE pipes



Component list:

1. Bush	Stainless steel 304	2. Wedge, expansion	Stainless steel 304
---------	---------------------	---------------------	---------------------

Components may be substituted with equivalent or higher class materials without prior notification.

Reference nos. and dimensions:

AVK ref. no.	DN mm	SDR	Pipe diam. mm	L mm	L1 mm	Theoretical weight / kg
05-025-54-002 ⁽¹⁾	20	-	25	-	36	0.1
05-032-54-002 ⁽¹⁾	25	-	32	-	44	0.1
05-040-54-002 ⁽¹⁾	32	-	40	-	54	0.2
05-050-54-002 ⁽¹⁾	40	-	50	-	74	0.3
05-063-51-000	50	17.6	63	200	150	0.4
05-063-53-000	50	17	63	200	150	0.4
05-063-54-000	50	11	63	200	150	0.4
05-063-54-002 ⁽¹⁾	50	-	63	-	87	0.6
05-063-56-000	50	13,6	63	200	150	0.4
05-075-51-000	65	17.6	75	200	150	0.5
05-075-53-000	65	17	75	200	150	0.5
05-075-54-000	65	11	75	200	150	0.5
05-075-56-000	65	13,6	75	200	150	0.5
05-090-51-000	80	17.6	90	230	150	0.7
05-090-53-000	80	17	90	230	150	0.7
05-090-54-000	80	11	90	230	150	0.7
05-090-56-000	80	13,6	90	230	150	0.7
05-110-71-000	100	17.6	110	230	150	0.8
05-110-73-000	100	17	110	230	150	0.8
05-110-74-000	100	11	110	230	150	0.8
05-110-76-000	100	13.6	110	230	150	0.8
05-125-71-000	125	17.6	125	230	150	1.0
05-125-73-000	125	17	125	230	150	1.0
05-125-74-000	125	11	125	230	150	1.0
05-125-76-000	125	13.6	125	230	150	1.0
05-140-71-000	140	17.6	140	230	150	1.1
05-140-73-000	140	17	140	230	150	1.1

The designs, materials and specifications shown are subject to change without notice due to the continuous development of our product range.

AVK SUPPORT BUSH, WEDGE TYPE**05/E-008**

For insertion in PE pipes

Reference nos. and dimensions:

AVK ref. no.	DN	SDR	Pipe diam.	L	L1	Theoretical weight / kg
	mm		mm	mm	mm	
05-140-74-000	140	11	140	230	150	1.1
05-140-76-000	140	13.6	140	230	150	1.1
05-160-71-000	150	17.6	160	325	200	1.3
05-160-73-000	150	17	160	325	200	1.3
05-160-74-000	150	11	160	325	200	1.3
05-160-76-000	150	13.6	160	325	200	1.3
05-180-71-000	175	17.6	180	325	200	1.4
05-180-73-000	175	17	180	325	200	1.4
05-180-74-000	175	11	180	325	200	1.4
05-180-76-000	175	13.6	180	325	200	1.4
05-200-71-000	200	17.6	200	325	200	1.4
05-200-73-000	200	17	200	325	200	1.4
05-200-74-000	200	11	200	325	200	1.4
05-200-76-000	200	13.6	200	325	200	1.4
05-225-71-000	225	17.6	225	350	200	1.9
05-225-73-000	225	17	225	350	200	1.9
05-225-74-000	225	11	225	350	200	2.0
05-225-76-000	225	13.6	225	350	200	2.0
05-250-71-000	250	17.6	250	350	200	2.3
05-250-73-000	250	17	250	350	200	2.3
05-250-74-000	250	11	250	350	200	2.5
05-250-76-000	250	13.6	250	350	200	2.4
05-280-71-000	275	17.6	280	375	200	2.7
05-280-73-000	275	17	280	375	200	2.7
05-280-74-000	275	11	280	375	200	3.3
05-280-76-000	275	13.6	280	375	200	3.0
05-315-71-000	300	17.6	315	375	200	3.5
05-315-73-000	300	17	315	375	200	3.5
05-315-74-000	300	11	315	375	200	3.3
05-315-76-000	300	13.6	315	375	200	3.4
05-355-73-000	350	17	355	400	200	4.0
05-355-74-000	350	11	355	400	200	3.8
05-400-73-000	400	17	400	400	200	4.5
05-400-74-000	400	11	400	400	200	4.3
05-400-76-000	400	13.6	400	400	200	4.5
05-450-73-000	450	17	450	400	200	3.0
05-450-74-000	450	11	450	400	200	2.7
05-500-73-000	500	17	500	400	200	5.3
05-500-74-000	500	11	500	400	200	5.1
05-560-73-000	550	17	560	400	200	5.3
05-560-74-000	550	11	560	400	200	5.3
05-630-73-000	600	17	630	400	200	5.8
05-630-74-000	600	11	630	400	200	5.5

(1) Made of polypropylene with a built-in chamfer. There is no wedge in this type of support bush