



AVK UNIVERSAL STEP COUPLING PN16

602

Universal step coupling PN16

For Cast Iron, Ductile Iron, Steel, PVC-U, PVC-M, PVC-O, AC and copper pipes

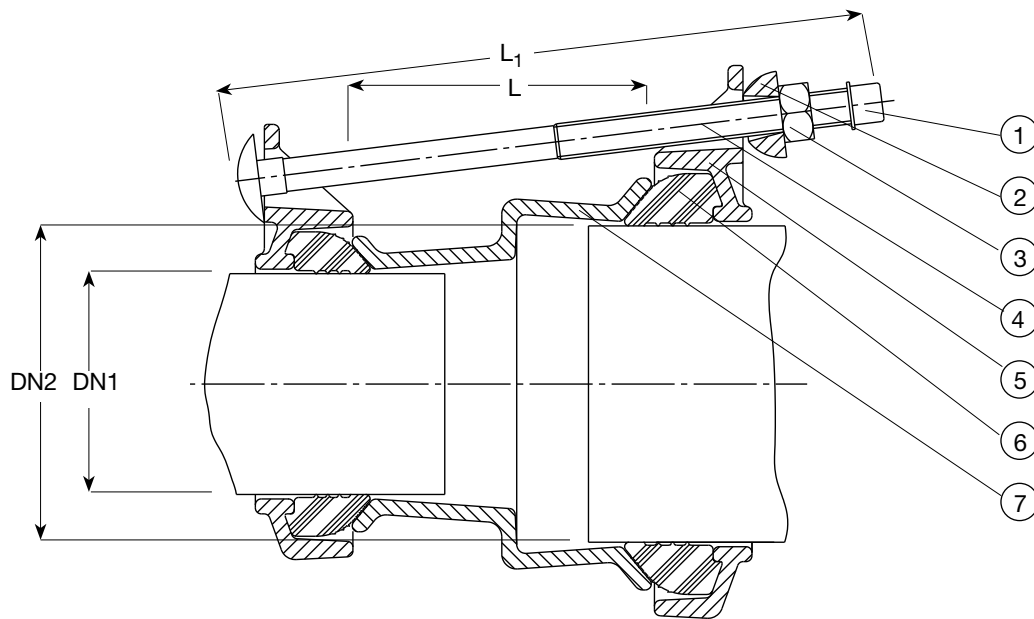
Use:

- For water and sewage application to max. 40°C
- Angular deflection of ± 4 degrees (total 8 degrees)
- 16 bar / 160 metres allowable operating pressure (AOP)
- Non tensile
- This product provides no longitudinal joint restraint

Approvals:

- All materials are AS/NZS 4020 compliant
- Fully conforming to AS/NZS 4998:2009 bolted unrestrained mechanical coupling for waterworks purposes





Component list

1. End cap	Ductile Iron, AS 1831 Gr. 400-12 min.
2. Washer	Stainless Steel 316
3. Nut	Stainless Steel 316, PTFE coated
4. Bolt	Stainless Steel 316
5. Bracket	Ductile Iron, AS 1831 Gr. 400-12 min.
6. Rubber seal	Water: EPDM to AS/NZS 1646, AS/NZS 4020 compliant
7. Stepped barrel	Ductile Iron, AS 1831 Gr. 400-12 min.

Components can be substituted with equivalent or higher class materials.

Reference nos. and dimensions

AVK ref. nos.	Pipe		Sealing Range mm		L mm	L1 mm	Bolts	Weight kg
	DN1	DN2	DN1	DN2				
602-063074-4-312	40-50		46-63	57-74	100	190	2	3.2
602-063085-4-312	40-65		46-63	68-85	100	190	4	4.2
602-074085-4-312	50-65		57-74	68-85	100	210	4	4.2
602-074106-4-312	50-80		57-74	84-106	100	210	4	4.5
602-085106-4-312	65-80		68-85	84-106	100	210	4	4.9
602-106119-4-312	80-100		84-106	99-119	100	210	4	5.3
602-106133-4-312	80-100		84-106	109-133	100	210	4	5.3
602-119133-4-312	100-100		99-119	109-133	100	210	4	5.6
602-119157-4-312	100-125		99-119	132-157	100	210	4	6.4
602-133157-4-312	100-125		109-133	132-157	100	210	4	6.4
602-133183-4-312	100-150		109-133	157-183	115	230	4	7.4
602-157183-4-312	125-150		132-157	157-183	115	230	4	7.7
602-183201-4-312	150-150		157-183	176-201	115	230	4	8.9
602-201215-4-312	150-200		176-201	193-215	115	230	4	9.6
602-201242-4-312	150-200		176-201	218-242	140	250	4	11.2
602-215242-4-312	200-200		193-215	218-242	140	250	4	11.0
602-215268-4-312	200-225		193-215	242-268	140	250	6	13.0
602-242268-4-312	200-225		218-242	242-268	140	250	6	13.5
602-268292-4-312	225-250		242-268	266-292	160	270	6	14.5
602-292306-4-312	250-250		266-292	280-306	160	270	6	15.8
602-292327-4-312	250-300		266-292	301-327	160	270	6	16.3
602-327350-4-312	300-300		301-327	324-350	160	270	6	17.3
602-327378-4-312	300-350		301-327	352-378	160	270	8	19.4
602-350378-4-312	300-350		324-350	352-378	160	270	8	20.3
602-378396-4-312	350-350		352-378	372-396	160	270	8	20.7
602-396410-4-312	350-350		372-396	384-410	160	270	8	21.1
602-410436-4-312	350-400		384-410	410-436	160	270	8	21.9
602-436462-4-312	400-400		410-436	436-462	160	270	8	22.7

The designs, materials and specifications shown are subject to change without notice due to the continuous development of our product program.