



## AVK UNIVERSAL STRAIGHT COUPLING PN16

601

Short, Ductile Iron

Universal straight couplings PN16  
For Cast Iron, Ductile Iron, Steel, PVC-U, PVC-M, PVC-O, AC and copper pipes

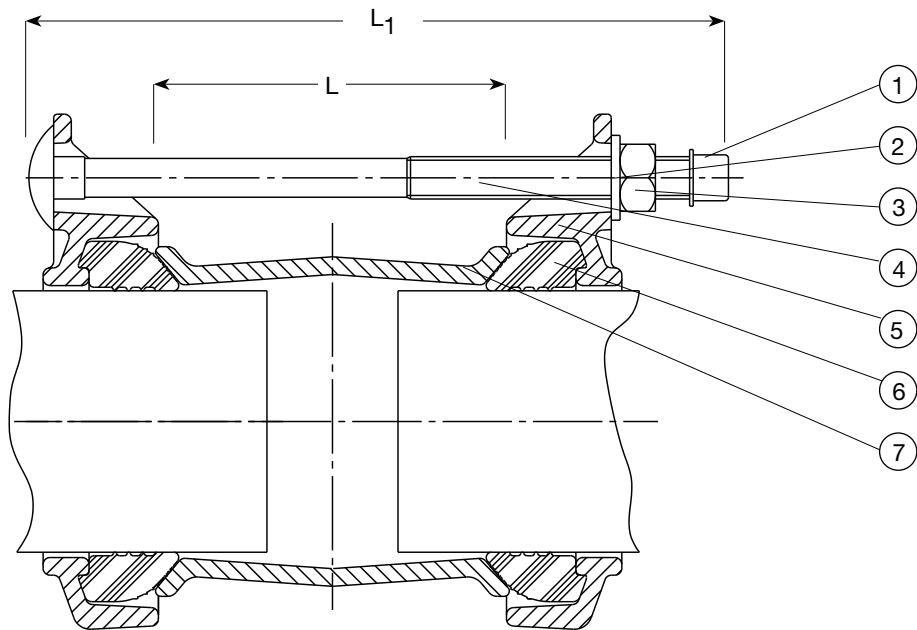
### Use:

- For water and sewage applications to max. 40°C
- Angular deflection of  $\pm 4$  degrees (total 8 degrees)
- 16 bar / 160 metres allowable operating pressure (AOP)
- Non tensile
- This product provides no longitudinal joint restraint

### Standards and Approvals:

- All materials are AS/NZS 4020 compliant
- Fully conforming to AS/NZS 4998:2009 bolted unrestrained mechanical couplings for waterworks purposes
- DN80 to DN225 Standards Mark Licence SMK40397 to AS 4998:2009





### Component list

1. End cap	PVC
2. Washers	Stainless Steel 316
3. Nuts	316 Stainless Steel, PTFE coated
4. Bolts	316 Stainless Steel, PTFE coated
5. Bracket	DI to AS 1831
6. Rubber Seal	EPDM to AS 1646, AS/NZS 4020 Compliant
7. Barrel	Ductile Iron or 316 Stainless Steel

\* Ductile Iron FBE coated to AS 4158

Components can be substituted with equivalent or higher class materials.

### Reference nos. and dimensions

AVK ref. nos.	DN mm	Barrel material	L mm	L1 mm	Sealing Range mm	Bolts	Theoretic weight kg
601-063000-4312	40	Ductile Iron	100	190	46-63	2	2.90
601-074000-4312	50	Ductile Iron	100	190	57-74	2	2.90
601-085000-4312	65	Ductile Iron	100	190	68-85	4	3.90
601-119000-4312	100	Ductile Iron	100	190	99-119	4	5.20
601-157000-4312	125	Ductile Iron	100	190	132-157	4	6.50
601-201000-4312	150	Ductile Iron	115	210	176-201	4	9.0
601-215000-4312	200	Ductile Iron	115	210	193-215	4	9.40
601-242000-4312	200	Ductile Iron	140	230	218-242	4	11.30
601-268000-4312	225	Ductile Iron	140	230	242-268	6	13.40
601-292000-4312	250	Ductile Iron	160	250	266-292	6	15.50
601-306000-4312	250	Ductile Iron	160	250	280-306	6	14.60
601-327000-4312	300	Ductile Iron	160	270	301-327	6	16.40
601-350000-4312	300	Ductile Iron	160	250	324-350	6	16.50
601-378000-4312	350	Ductile Iron	160	270	352-378	8	24.10
601-396000-4312	350	Ductile Iron	160	270	372-396	8	25.0
601-410000-4312	375	Ductile Iron	160	270	384-410	8	25.10
601-436000-4312	400	Ductile Iron	160	270	410-436	8	27.20
601-462000-4312	400	Ductile Iron	160	270	436-462	8	27.65