



AVK SUPA-GIB BLANK END

605



Blank end, PN16 to DN300 (354mm OD)
For Cast Iron, Ductile Iron, Steel, PVC-U, PVC-M, PVC-O, AC and copper pipes
Not recommended for use with HDPE



Use:

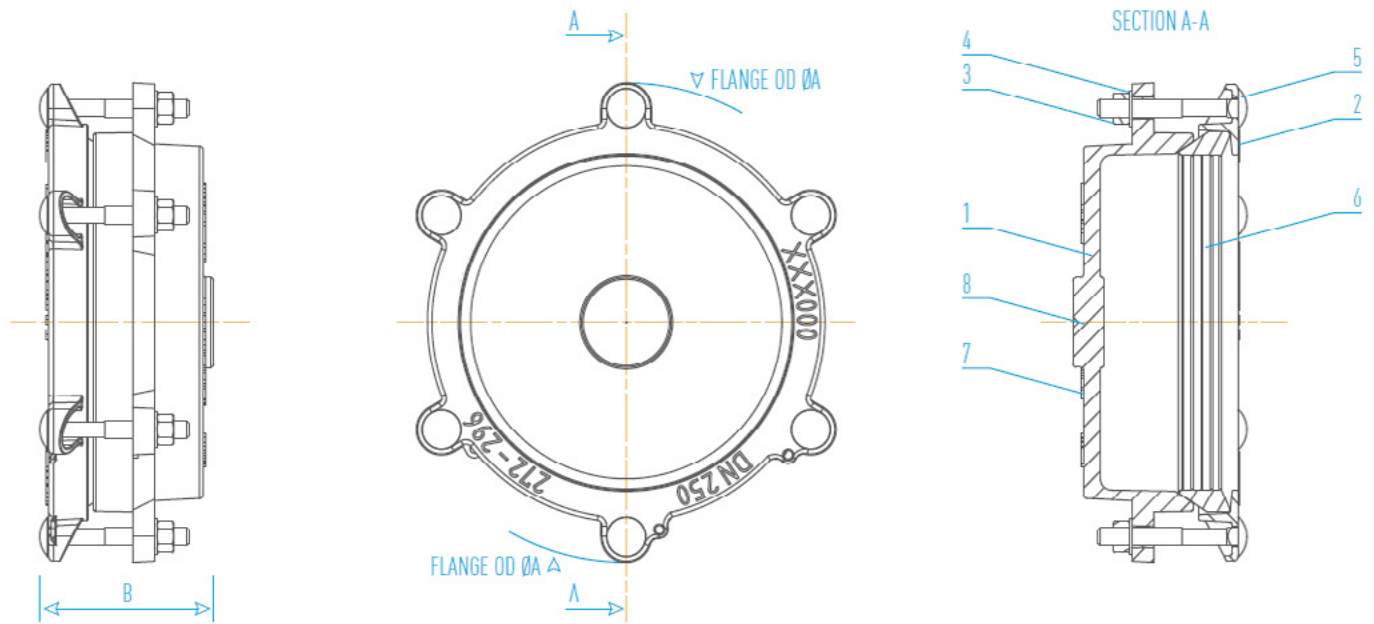
- For water and sewer applications to max 60°C
- Angular deflection up to + - 3 degrees (total 6 degrees)
- 16 bar / 160 meters allowable operating pressure (AOP)
- Non restrained
- This product provides no longitudinal joint restraint



Standards and Approvals:

- All materials AS/NZS 4020 compliant
- Fully conforming to AS/NZS 4998:2009 bolted unrestrained mechanical couplings for waterworks purposes





Component list

1. Body/end cap/barrel	Ductile Iron / AS 1831	5. Cup head bolts	316 Stainless Steel / DIN 603
2. Coupling flange	Ductile Iron / AS 1831	6. Coupling gasket	Nitrile (NBR) compound / AS 1646 & AS/NZS 4020
3. Nuts	316 Stainless Steel /anti-galling compound coated / AS 1112.1	7. Coating	Fusion coated / AS/NZS 4158
4. Washers	316 Stainless Steel / ISO 887 / ISO 7089	8. Tapping point	

Components can be substituted with equivalent or higher class materials.

Reference nos. and dimensions

AVK ref. nos.	DN mm	PN	Total angular deflection	Sealing range	Flange OD A	Overall length B	Barrel material	Flange material	Fasteners	No. bolts
605-5-103	80	16	3	88-103	238	140	DI	DI	SS	3
605-5-133	100	16	3	109-133	263	150	DI	DI	SS	3
605-5-182	150	16	3	158-182	312	150	DI	DI	SS	3
605-5-238	200	16	3	214-238	371	150	DI	DI	SS	5
605-5-264	225	16	3	240-264	399	150	DI	DI	SS	5
605-5-296	250	16	3	272-296	431	150	DI	DI	SS	6
605-5-334	300	16	3	310-334	490	150	DI	DI	SS	6
605-5-354	300	16	3	330-354	510	220	DI	DI	SS	6
605-5-354-1	300	16	3	330-354	510	220	SS	DI	SS	6
605-5-394-2	350	16	3	370-394	527	155	SS	SS	SS	8
605-5-420-2	375	16	3	396-420	553	155	SS	SS	SS	8
605-5-434-2	375	16	3	410-434	567	155	SS	SS	SS	8
605-5-460-2	400	16	3	436-460	593	155	SS	SS	SS	10
605-5-512-2	450	16	3	488-512	645	155	SS	SS	SS	10
605-5-522-2	450	16	3	498-522	655	155	SS	SS	SS	10