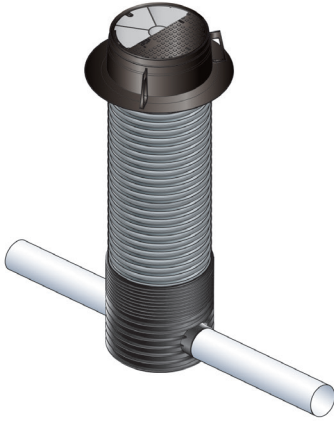


PP Plastic Maintenance Structures

EziPit® 600 Maintenance chamber (MC) - non entry



EziPit 600 (MC) is a gravity sewer maintenance chamber with a nominal inside diameter of 600mm. Permitting safe access for cleaning and inspection equipment from the surface but restricting man entry.

Features

- Lightweight
- Operational efficiencies
- Fully intergrated swivel sockets
- Resistant to root intrusion
- Smooth polypropylene flow channels
- Recyclable

Technical Data

Product Properties

Base	Black co polymer polypropylene with flat bottom
Base flow profiles	Straight (180°), 30°, 60°, 90°, Double sweep 90° Junction (4 Way), Tee
Riser	Grey corrugated single wall riser SN8 (8000N/m/m), Standard length 1m, 1.5m, 2m, 3m, 4m, 4.5m and 6m with plain ends
Riser diameter	DN600 (683mm OD, 602mm ID)
Height adjustment	Corrugated riser can be cut in 33mm increments. Cover arrangements allow further height adjustment
Riser inflow connection	<ul style="list-style-type: none"> • PP moulded (4 way) Riser Junction with 3x DN150 (PP) Spigot (160 OD) in-take branches and 1x DN225 (250 OD intake branch). • For DN150 or DN225 RRJ connection, add a DN150 or DN225 DWV PVC Coupling F&F • For DN100 DWV (110mm OD) connection add a DN150 x DN100 PVC DWV Level Invert Taper (LIT) M&F with a DWV PVC Coupling F&F
Covers	Ductile iron cover Class D to AS3996 'Access covers and grates'
Pipe types and sizes	DWV PVC Smooth wall to AS/NZ1260 'PVC-U pipes and fittings for drain, waste and vent applications' <ul style="list-style-type: none"> • DN150 DWV PVC (160mm OD) • DN225 DWV PVC (250mm OD) • DN300 DWV PVC (315mm OD)
Rubber ring seals	SBR (Styrene Butadiene Rubber)
Minimum and maximum depth of structure*	From 1.2m ¹ up to 6m
Maximum height of groundwater	5m above Base inflow pipe connection
Standards	EN13598-2, WSA137, AS3996, AS1646, AS/NZS 5065

*Maximum depth may be subject to local water authority approval.

¹Minimum depth is dependant on the type of base and cover selected and if inflows are required via the riser.

© Iplex Pipelines Australia Pty Limited 2024. All drawings and information contained within this document are the exclusive property of Iplex. Iplex reserves the right to change product specifications and other information without prior notification. Measurements provided are for reference purposes only. Information in this publication is given in good faith and no warranty is provided or is to be implied with respect to either the information or the product, in particular the suitability of the product for any particular purpose. The purchaser should independently determine the suitability of the product for the intended application.

Iplex_EziPit600_product data sheet_Dec 24